

Riolit

Recessed



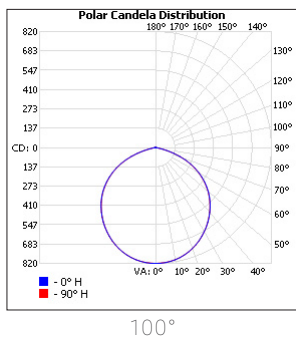
FEATURES & BENEFITS

- Available in two form factors: 180mm and 240mm
- Two color temperature: 3000K and 4000K
- Lens angle: 100°
- Color rendering index: 80
- Efficiency @4000K: 100 lm/W

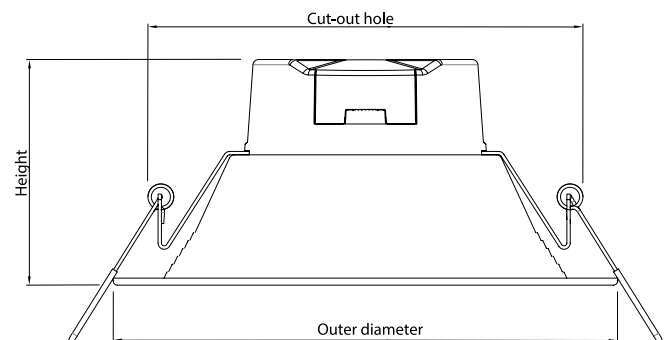
APPLICATIONS

Office | Showrooms | Commercial areas |
Hospitals | Hotels | Airports

LIGHT DISTRIBUTION



TECHNICAL DRAW



SPECIFICATIONS

Power	11W, 15W	15W, 22W
Dimensions	Ø180 x 81 (cut out Ø160) ± 1mm	Ø240 x 93 (cut out Ø205) ± 1mm
Color Rendering	CRI80	
Housing materials	Aluminum & Polycarbonate	
THD (at 230 V, 50 Hz, full load)	<30	
Protection class	Safety class II	
Operating temperature [°C]	-10...+40°C/14F...+104F	
Power factor	≥0.9	
Color temperature	3000K, 4000K	
Lens angle (°)	100°	
AC Input [Vac]	220-240 Vac	
Housing color	White	
Colour consistency	MacAdam≤6	
Lumen maintenance	L70/B50@45.000h at 25°C	
IP Rating	IP20	
Control option	-	
Emergency option	-	
Warranty (years)	5 years	
Efficiency @4000K	100 lm/W	
Luminous flux tolerance	+/- 10%	
Risk group	<p>RG0</p> <p>The evaluation of photobiological safety is carried out according to the standard IEC 62471:2008 ("Photobiological safety of lamps and lamp systems"). Following the definition of the risk grouping system of the mentioned IEC standard, the LEDs mounted on this family fall into the class "Exempt (RG0 – No photobiological hazard)". Under real circumstances (regarding exposure time, pupils, observation distance), it is assumed that there is no endangerment to the eye from these devices. As a matter of principle, however, it should be mentioned that intense light sources have a high secondary exposure potential due to their blinding effect.</p>	

SKU SPECIFICATIONS

Article Number	Dimensions (mm)	CCT (K)	Lumens (lm)	Power (W)	Efficiency (lm/watt)	Lens angle (degrees)	Weight (kg)
1D1000 Riolit 160mm/3000/11W/80/A100	Ø180 x 81 ± 1mm	3000	1100	11W	100	100°	0.32 Kg
1D1001 Riolit 160mm/4000/11W/80/A100	Ø180 x 81 ± 1mm	4000	1100	11W	100	100°	0.32 Kg
1D1002 Riolit 160mm/3000/15W/80/A100	Ø180 x 81 ± 1mm	3000	1500	15W	100	100°	0.32 Kg
1D1003 Riolit 160mm/4000/15W/80/A100	Ø180 x 81 ± 1mm	4000	1500	15W	100	100°	0.32 Kg
1D1004 Riolit 205mm/3000/15W/80/A100	Ø240 x 93 ± 1mm	3000	1500	15W	100	100°	0.48 Kg
1D1005 Riolit 205mm/4000/15W/80/A100	Ø240 x 93 ± 1mm	4000	1500	15W	100	100°	0.48 Kg
1D1006 Riolit 205mm/3000/22W/80/A100	Ø240 x 93 ± 1mm	3000	2200	22W	100	100°	0.5 Kg
1D1007 Riolit 205mm/4000/22W/80/A100	Ø240 x 93 ± 1mm	4000	2200	22W	100	100°	0.5 Kg