



Orsini

TRACK SPOTLIGHT | DALI SERIES

A flexible and adjustable spotlight that emphasizes areas in your store or gallery. The spotlight will answer your requirements through simple and efficient design that offers an adjustable light beam angle between 21° and 28° for directional and accent lighting.

Orsini has several series, determined by various add-on and controls:

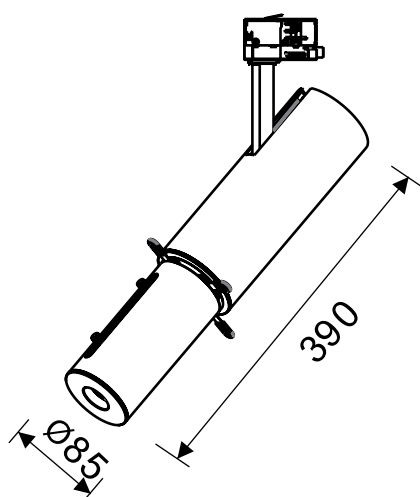
- Orsini Non-DALI: the standard version
- Orsini DALI – with DALI controls for illumination adjustments

APPLICATION

Grocery & Supermarket | Retail | Art & Exhibition

FEATURES & BENEFITS

- CRI 90 as standard
- Color temperatures: 3000K and 4000K
- Angle: adjustable (21° and 28°)
- Dimmable



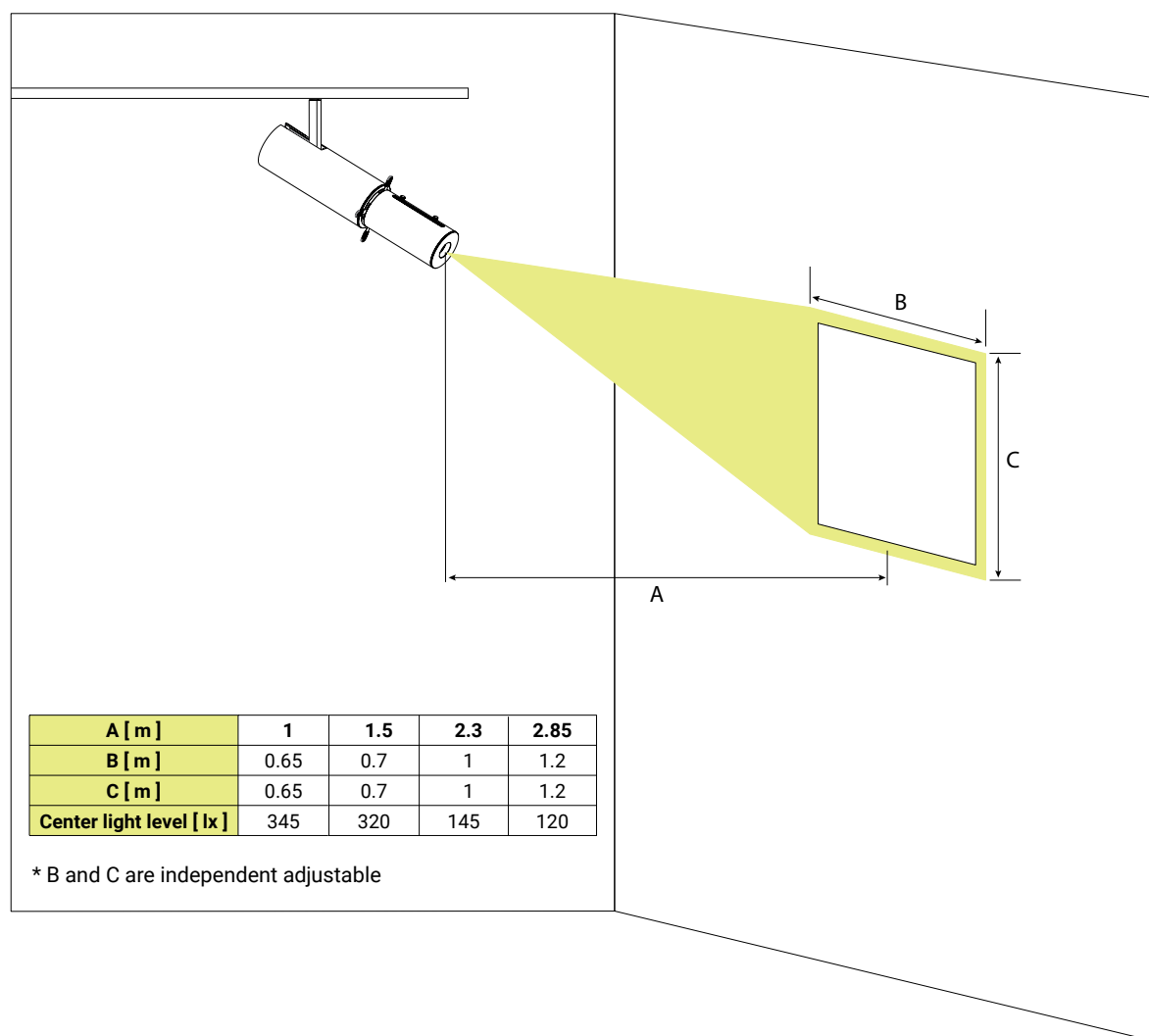
SPECIFICATIONS

| | |
|----------------------------|---------------------------------------|
| Power consumption | 30W |
| Dimensions | Ø85x390±1mm |
| Weight | 2 Kg |
| Housing materials | Aluminium, Glass |
| Protection class | Safety class II |
| Power factor | >0.9 |
| Operating temperature [°C] | +5°C ... +45°C |
| AC Input [Vac] | 220 - 240 VAC |
| Lens angle [°] | AVAR (21° to 28°) |
| Lifespan [h] | 50.000 |
| Housing color | Black, White (available on request) |
| Lumen maintenance | L90/B10@45.000h at 25°C |
| IP factor | IP20 |
| Control optional | DALI |
| Warranty [years] | 5 |

| | |
|---------|-------------|
| # | Standard |
| CRI | CRI 90 |
| CCT [K] | 3000K/4000K |
| MacAdam | 3 |

CRI - Color rendering, CCT - Color temperature, MacAdam - Color consistency

PHOTOMETRY



SKU SPECIFICATIONS

| Product Code | Dimensions (mm) | CCT (K) | Lumens (lm) | Power (W) | Eff. (lm/watt) | Lens Angle (°) |
|---|-----------------|---------|-------------|-----------|----------------|----------------|
| CRI 90 | | | | | | |
| 2D7ES27 Orsini S34835/3000K/30W/90/AVAR | Ø85x390±1mm | 3000K | 300 | 30W | 10 | AVAR |
| 2D7ES28 Orsini S34835/4000K/30W/90/AVAR | Ø85x390±1mm | 4000K | 300 | 30W | 10 | AVAR |