



Eliot 2

SURFACE MOUNTED | NON-DALI SERIES

The light fitting line can be used as a comprehensive solution for lighting of office buildings, schools, hospitals, libraries, as well as individual lighting of flat interiors, corridors, sanitary and welfare facilities.

Thanks to its high luminous efficiency and low electricity consumption it is a suitable replacement for light fittings with fluorescent tubes.

Eliot 2 comes in several series, with a variety of add-ons and controls:

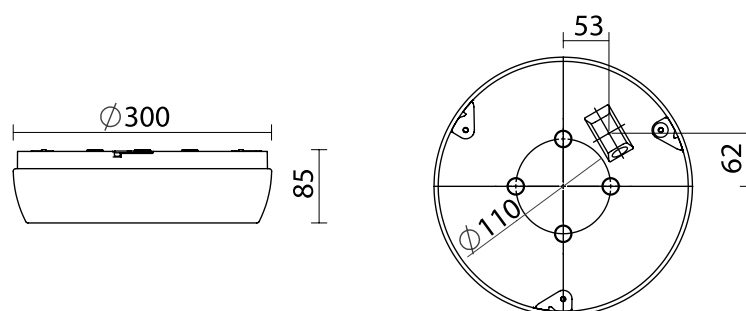
- Eliot 2 Non-DALI – the standard version
- Eliot 2 Non-DALI EM – with emergency kit
- Eliot 2 DALI – with DALI controls for illumination adjustments
- Eliot 2 DALI EM – with DALI controls for illumination adjustments and emergency options

APPLICATION

Grocery & Supermarket | Office | Healthcare | Hospitality | DIY

FEATURES & BENEFITS

- CRI \geq 80 as standard
- Color temperatures at 3000K and 4000K
- Long rated life: L90/B10 @50.000h
- High efficiency: 117 lm/w@4000K
- High ingress protection: IP54



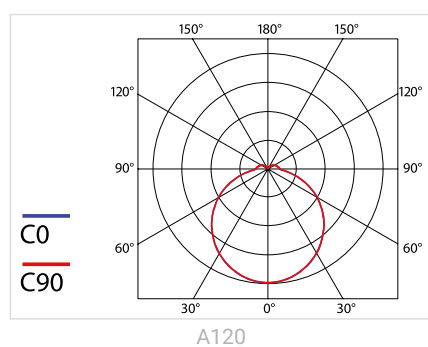
SPECIFICATIONS

Power consumption	8W, 12W, 16W, 24W
Dimensions	Ø300x85±1mm
Weight	1,3 Kg
Housing materials	Polycarbonate, Steel
IK code	IK10
THD (at 230V, 50Hz, Full load)	<8%
Protection class	Safety class 1
Operating temperature [°C]	-25°C ... +35°C / -13F ... +95F
Operating humidity [%]	10 ÷ 85
Power factor	≥0.95
AC Input [Vac]	220 - 240 VAC
Lens angle [°]	120°
Lifespan [h]	50,000
Housing color	○ White
Lumen maintenance	L90/B10@50.000h at 25°C
IP factor	IP54
Control optional	-
Warranty [years]	5
Storage temperature range [°C]	-20°C ... +55°C / -4F ... +131F
Emergency option	-

Aplicații	Standard
CRI	CRI 80
CCT [K]	3000K, 4000K
MacAdam	4

CRI - Color rendering, CCT - Color temperature, MacAdam - Color consistency

LIGHT DISTRIBUTION



TOLERANCES

Luminous flux tolerances: -/+ 5%

Consumption tolerance: -/+ 5% for Non-DALI | -/+ 10% for Non-DALI & KIT EM | -/+ 10% for DALI | -/+ 15% for DALI & KIT EM

BATTERY WARRANTY

Non-DALI EM & DALI EM: 12 months warranty

Non-DALI & DALI: -

Table of maximal number of luminaires in one line					10A B	10A C	16A B	16A C
Wattage / CB Type								
8W	12W	16W	24W	32	50	52	85	85

RISK GROUP

Standard (CRI80) RG1

FOOD (BVF, FBS, FSM) RG1

FOOD <20W (FZM, FSH) RG2 (dthr=1.8m)

FOOD >20W (FZM, FSH) RG2 (dthr=2.2m)

FAS RG1

AMB2200 RG1

ART RG1

AGI RG1

CRI90 RG1

CRI95 RG1

ENT RG1

RG1

The evaluation of photobiological safety is carried out according to the standard IEC 62471:2008 ("Photobiological safety of lamps and lamp systems"). Following the definition of the risk grouping system of the mentioned IEC standard, the LEDs mounted on this family fall into the class "Low Risk (RG1 – No photobiological hazard under normal behavioral limitations)". Under real circumstances (regarding exposure time, pupils, observation distance), it is assumed that there is no endangerment to the eye from these devices. As a matter of principle, however, it should be mentioned that intense light sources have a high secondary exposure potential due to their blinding effect.

RG2

The evaluation of photobiological safety is carried out according to the standard IEC 62471:2008 ("Photobiological safety of lamps and lamp systems"). Following the definition of the risk grouping system of the mentioned IEC standard, the LEDs mounted on this family fall into the class "Moderate Risk (RG2)". Under real circumstances (regarding exposure time, pupils, observation distance), it is assumed that there is no endangerment to the eye from these devices. As a matter of principle, however, it should be mentioned that intense light sources have a high secondary exposure potential due to their blinding effect.

SKU SPECIFICATIONS

Product Code	Dimensions (mm)	CCT (K)	Lumens (lm)	Power (W)	Eff. (lm/watt)	Lens Angle (°)
CRI 80						
197100 Eliot2 300mm/3000/8W/80	Ø300x85±1mm	3000	825	8W	104	120°
197101 Eliot2 300mm/4000/8W/80	Ø300x85±1mm	4000	865	8W	109	120°
197102 Eliot2 300mm/3000/12W/80	Ø300x85±1mm	3000	1300	12W	109	120°
197103 Eliot2 300mm/4000/12W/80	Ø300x85±1mm	4000	1365	12W	114	120°
197104 Eliot2 300mm/3000/16W/80	Ø300x85±1mm	3000	1775	16W	111	120°
197105 Eliot2 300mm/4000/16W/80	Ø300x85±1mm	4000	1865	16W	117	120°
197106 Eliot2 300mm/3000/24W/80	Ø300x85±1mm	3000	2415	24W	101	120°
197107 Eliot2 300mm/4000/24W/80	Ø300x85±1mm	4000	2535	24W	106	120°