



Stiletto F - 5

SURFACE MOUNTED | NON-DALI SERIES

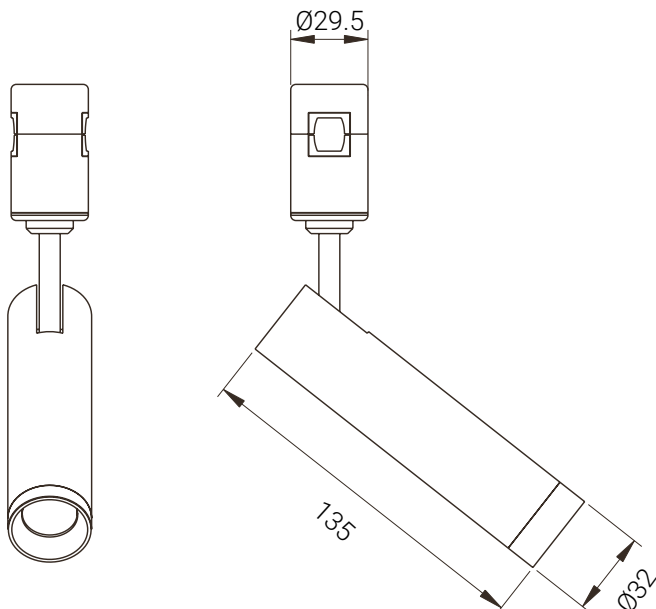
Step into a realm of refined illumination with Stiletto, a collection that combines the allure of golden aesthetics with the precision of LED technology.

FEATURES & BENEFITS

- CRI > 90 as standard
- Color temperatures: 3000K, 4000K, 6500K
- Beam angles: 35°, 45°
- Luminaire efficiency: 88lm/W @4000K
- Output power: 4W
- Luminaires that can be DALI dimmable, by choosing an appropriate driver when configuring the system.

APPLICATION

High End Grocery & Supermarkets | Fashion Retailers | Art & Exhibitions | DIY



SPECIFICATIONS

Mounting type	Magnetic track mounted luminaires
Power consumption	4W
Dimensions	Ø49.5 x H100mm ± 1mm
Housing materials	Aluminium, Acrylic
IK code	IK00
Protection class	Safety class 1
Operating temperature [°C]	-20°C ... +40°C / -4F ... +104F
Operating humidity [%]	20 ÷ 90
DC Input [Vdc]	24 VDC
Lens angle [°]	35°, 45°
Lifespan [h]	50.000
Housing color	Brass, White, Black
Lumen maintenance	L70/B30@50.000h at 25°C
IP factor	IP20
Control option	-
Warranty [years]	3
Storage temperature range [°C]	10°C ... +30°C / 50°F ... +86°F
Emergency option	-

Light application	Standard
CRI	CRI90
CCT [K]	3000K, 4000K, 6500K

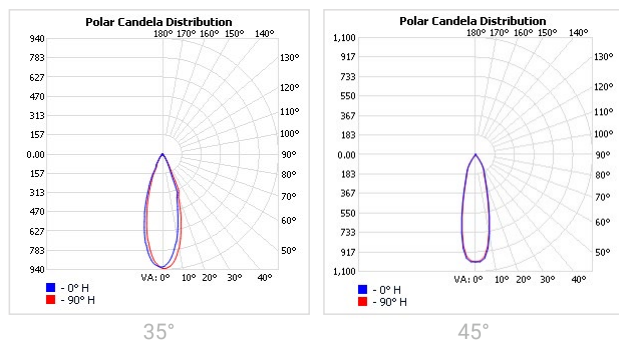
CRI - Color rendering, CCT - Color temperature

TOLERANCES

Luminous flux tolerances: -/+ 5%

Consumption tolerance: -/+ 5% for Non-DALI | -/+ 10% for Non-DALI & KIT EM | -/+ 10% for DALI | -/+ 15% for DALI & KIT EM

LIGHT DISTRIBUTION



SKU SPECIFICATIONS

Product Code	Dimensions (mm)	CCT (K)	Lumens (lm)	Power (W)	Eff. (lm/watt)	Lens Angle (°)
CRI 90						
1F9163 Stiletto F5/3000/4W/90/A35/24V/Brass	Ø32 x H135mm ± 1mm	3000	350	4W	88	35°
1F9164 Stiletto F5/3000/4W/90/A35/24V/White	Ø32 x H135mm ± 1mm	3000	350	4W	88	35°
1F9165 Stiletto F5/3000/4W/90/A35/24V/Black	Ø32 x H135mm ± 1mm	3000	350	4W	88	35°
1F9166 Stiletto F5/4000/4W/90/A35/24V/Brass	Ø32 x H135mm ± 1mm	4000	350	4W	88	35°
1F9167 Stiletto F5/4000/4W/90/A35/24V/White	Ø32 x H135mm ± 1mm	4000	350	4W	88	35°
1F9168 Stiletto F5/4000/4W/90/A35/24V/Black	Ø32 x H135mm ± 1mm	4000	350	4W	88	35°
1F9169 Stiletto F5/6500/4W/90/A35/24V/Brass	Ø32 x H135mm ± 1mm	6500	350	4W	88	35°
1F9170 Stiletto F5/6500/4W/90/A35/24V/White	Ø32 x H135mm ± 1mm	6500	350	4W	88	35°
1F9171 Stiletto F5/6500/4W/90/A35/24V/Black	Ø32 x H135mm ± 1mm	6500	350	4W	88	35°
1F9172 Stiletto F5/3000/4W/90/A45/24V/Brass	Ø32 x H135mm ± 1mm	3000	350	4W	88	45°
1F9173 Stiletto F5/3000/4W/90/A45/24V/White	Ø32 x H135mm ± 1mm	3000	350	4W	88	45°
1F9174 Stiletto F5/3000/4W/90/A45/24V/Black	Ø32 x H135mm ± 1mm	3000	350	4W	88	45°
1F9175 Stiletto F5/4000/4W/90/A45/24V/Brass	Ø32 x H135mm ± 1mm	4000	350	4W	88	45°
1F9176 Stiletto F5/4000/4W/90/A45/24V/White	Ø32 x H135mm ± 1mm	4000	350	4W	88	45°
1F9177 Stiletto F5/4000/4W/90/A45/24V/Black	Ø32 x H135mm ± 1mm	4000	350	4W	88	45°
1F9178 Stiletto F5/6500/4W/90/A45/24V/Brass	Ø32 x H135mm ± 1mm	6500	350	4W	88	45°
1F9179 Stiletto F5/6500/4W/90/A45/24V/White	Ø32 x H135mm ± 1mm	6500	350	4W	88	45°
1F9180 Stiletto F5/6500/4W/90/A45/24V/Black	Ø32 x H135mm ± 1mm	6500	350	4W	88	45°