



Sage

RECESSED SPOTLIGHTS | NON-DALI SERIES

Our adjustable spotlight that creates brilliant accent lighting. Housing comes in two colors - jet black and signal white, for a perfect blending with different environments. Narrow-angle beams (15°, 24°, 36°) allow for very precise light direction. Can be equipped with FAS and AGI special colors for bright colored goods in fashion retail and food retail sectors.

Sage has particular technical specifications, determined by various add-on and controls:

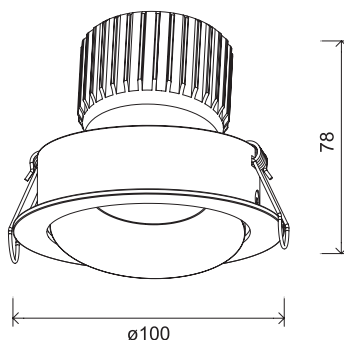
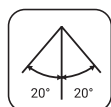
- Sage Non-DALI – the standard for retail spaces
- Sage DALI – with DALI controls for illumination adjustments

FEATURES & BENEFITS

- CRI 80 as standard and 93 available
- 6 color temperatures: 3000K, 4000K, AGI3000, AGI3500, AGI4000 and AMB2200
- Long rated life: L90/B10@50.000h
- Luminaire efficiency: 94 lm/W @4000K
- Dimmable (only for DALI Series)

APPLICATION

Grocery & supermarket | Retail | DIY | Fashion | Hospitality



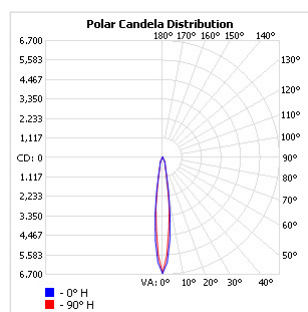
SPECIFICATIONS

| | |
|--------------------------------|---|
| Power consumption | 6W, 8W, 10W, 12W |
| Dimensions | Ø100x78±1mm |
| Weight | 0.4 Kg |
| Housing materials | Aluminium, Polycarbonate |
| IK code | IK02 |
| THD (at 230V, 50Hz, Full load) | <8% |
| Protection class | Safety class 1 |
| Operating temperature [°C] | -20°C ... +45°C / -4F ... +113F |
| Operating humidity [%] | 10 ÷ 85 |
| Power factor | ≥0.95 |
| AC Input [Vac] | 220 - 240 VAC |
| Lens angle [°] | 15°, 24°, 36° |
| Lifespan [h] | 50,000 |
| Housing color | ○ RAL 9003 - Signal White, ● RAL 9005 - Jet Black |
| Lumen maintenance | L90/B10@50,000h at 25°C |
| IP factor (general) | IP20 |
| Control option | - |
| Warranty [years] | 5 |
| Storage temperature range [°C] | -20°C ... +55°C / -4F ... +131F |
| Emergency option | - |

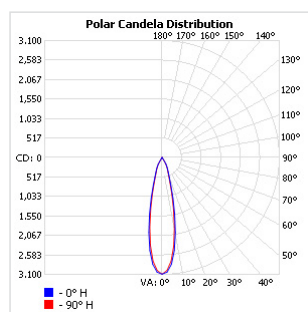
| # | Standard | AGI | AMB |
|---------|-------------|------------------------|-------|
| CRI | CRI80 | CRI93 | CRI80 |
| CCT [K] | 3000 / 4000 | AGI 3000 / 3500 / 4000 | 2200 |
| MacAdam | 3 | 3 | 3 |

CRI - Color rendering, CCT - Color temperature, MacAdam - Color consistency

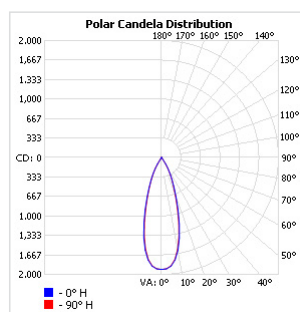
LIGHT DISTRIBUTION



15°



24°



36°

TOLERANCES

Luminous flux tolerances: -/+ 5%

Consumption tolerance: -/+ 5% for Non-DALI | -/+ 10% for Non-DALI & KIT EM | -/+ 10% for DALI | -/+ 15% for DALI & KIT EM

BATTERY WARRANTY

Non-DALI EM & DALI EM: 12 months warranty

Non-DALI & DALI: -

MAXIMUM NO. OF LUMINAIRES ON A CIRCUIT

| Luminaire Power(W) | Control type | Circuit Breaker Type | | | | | |
|--------------------|--------------|----------------------|----|----|-----|----|----|
| | | B | | | C | | |
| | | 20 | 16 | 10 | 20 | 16 | 10 |
| 8-20W | Non-DALI | 62 | 50 | 31 | 104 | 85 | 52 |
| 23-35W | Non-DALI | 24 | 20 | 10 | 47 | 40 | 20 |
| 42W | Non-DALI | 20 | 16 | 8 | 38 | 32 | 16 |
| 8-20W | DALI | 62 | 50 | 31 | 104 | 85 | 52 |
| 23-27W | DALI | 25 | 21 | 13 | 50 | 42 | 26 |
| 34-42W | DALI | 17 | 14 | 9 | 34 | 28 | 18 |

RISK GROUP

| | |
|--------------------------------|-----|
| Standard (CRI80) | RG1 |
| FOOD (BVF, FBS, FSM) | RG1 |
| FOOD ≤35W (FZM, FSH) | RG1 |
| FOOD >35W (FZM, FSH) | RG2 |
| FAS | RG1 |
| AMB2200 | RG1 |
| ART | RG1 |
| AGI | RG1 |
| CRI90 | RG1 |
| CRI95 | RG1 |
| ENT | RG1 |

RG1

The evaluation of photobiological safety is carried out according to the standard IEC 62471:2008 ("Photobiological safety of lamps and lamp systems"). Following the definition of the risk grouping system of the mentioned IEC standard, the LEDs mounted on this family fall into the class "Low Risk (RG1 – No photobiological hazard under normal behavioral limitations)". Under real circumstances (regarding exposure time, pupils, observation distance), it is assumed that there is no endangerment to the eye from these devices. As a matter of principle, however, it should be mentioned that intense light sources have a high secondary exposure potential due to their blinding effect.

RG2

The evaluation of photobiological safety is carried out according to the standard IEC 62471:2008 ("Photobiological safety of lamps and lamp systems"). Following the definition of the risk grouping system of the mentioned IEC standard, the LEDs mounted on this family fall into the class "Moderate Risk (RG2)". Under real circumstances (regarding exposure time, pupils, observation distance), it is assumed that there is no endangerment to the eye from these devices. As a matter of principle, however, it should be mentioned that intense light sources have a high secondary exposure potential due to their blinding effect.

SKU SPECIFICATIONS

| Product Code | Dimensions (mm) | CCT (K) | Lumens (lm) | Power (W) | Eff. (lm/watt) | Lens Angle (°) |
|---------------------------------------|-----------------|---------|-------------|-----------|----------------|----------------|
| CRI 80 | | | | | | |
| 182000 Sage D33011/3000/8W/80/A15 | Ø100x78±1mm | 3000 | 715 | 8W | 90 | 15° |
| 182001 Sage D33011/4000/8W/80/A15 | Ø100x78±1mm | 4000 | 750 | 8W | 94 | 15° |
| 182002 Sage D33011/3000/8W/80/A24 | Ø100x78±1mm | 3000 | 715 | 8W | 90 | 24° |
| 182003 Sage D33011/4000/8W/80/A24 | Ø100x78±1mm | 4000 | 750 | 8W | 94 | 24° |
| 182004 Sage D33011/3000/8W/80/A36 | Ø100x78±1mm | 3000 | 715 | 8W | 90 | 36° |
| 182005 Sage D33011/4000/8W/80/A36 | Ø100x78±1mm | 4000 | 750 | 8W | 94 | 36° |
| 182006 Sage D33011/3000/10W/80/A15 | Ø100x78±1mm | 3000 | 890 | 10W | 89 | 15° |
| 182007 Sage D33011/4000/10W/80/A15 | Ø100x78±1mm | 4000 | 930 | 10W | 93 | 15° |
| 182008 Sage D33011/3000/10W/80/A24 | Ø100x78±1mm | 3000 | 890 | 10W | 89 | 24° |
| 182009 Sage D33011/4000/10W/80/A24 | Ø100x78±1mm | 4000 | 930 | 10W | 93 | 24° |
| 182010 Sage D33011/3000/10W/80/A36 | Ø100x78±1mm | 3000 | 890 | 10W | 89 | 36° |
| 182011 Sage D33011/4000/10W/80/A36 | Ø100x78±1mm | 4000 | 930 | 10W | 93 | 36° |
| 182012 Sage D33011/3000/12W/80/A15 | Ø100x78±1mm | 3000 | 1000 | 12W | 84 | 15° |
| 182013 Sage D33011/4000/12W/80/A15 | Ø100x78±1mm | 4000 | 1045 | 12W | 88 | 15° |
| 182014 Sage D33011/3000/12W/80/A24 | Ø100x78±1mm | 3000 | 1000 | 12W | 84 | 24° |
| 182015 Sage D33011/4000/12W/80/A24 | Ø100x78±1mm | 4000 | 1045 | 12W | 88 | 24° |
| 182016 Sage D33011/3000/12W/80/A36 | Ø100x78±1mm | 3000 | 1000 | 12W | 84 | 36° |
| 182017 Sage D33011/4000/12W/80/A36 | Ø100x78±1mm | 4000 | 1045 | 12W | 88 | 36° |
| 182054 Sage D33011/AMB2200/8W/80/A15 | Ø100x78±1mm | AMB2200 | 575 | 8W | 72 | 15° |
| 182055 Sage D33011/AMB2200/8W/80/A24 | Ø100x78±1mm | AMB2200 | 575 | 8W | 72 | 24° |
| 182056 Sage D33011/AMB2200/8W/80/A36 | Ø100x78±1mm | AMB2200 | 575 | 8W | 72 | 36° |
| 182057 Sage D33011/AMB2200/10W/80/A15 | Ø100x78±1mm | AMB2200 | 735 | 10W | 74 | 15° |
| 182058 Sage D33011/AMB2200/10W/80/A24 | Ø100x78±1mm | AMB2200 | 735 | 10W | 74 | 24° |
| 182059 Sage D33011/AMB2200/10W/80/A36 | Ø100x78±1mm | AMB2200 | 735 | 10W | 74 | 36° |
| 182060 Sage D33011/AMB2200/12W/80/A15 | Ø100x78±1mm | AMB2200 | 835 | 12W | 70 | 15° |
| 182061 Sage D33011/AMB2200/12W/80/A24 | Ø100x78±1mm | AMB2200 | 835 | 12W | 70 | 24° |
| 182062 Sage D33011/AMB2200/12W/80/A36 | Ø100x78±1mm | AMB2200 | 835 | 12W | 70 | 36° |
| CRI 93 | | | | | | |
| 182027 Sage D33011/AGI3000/6W/93/A15 | Ø100x78±1mm | AGI3000 | 390 | 6W | 65 | 15° |
| 182028 Sage D33011/AGI3500/6W/93/A15 | Ø100x78±1mm | AGI3500 | 415 | 6W | 70 | 15° |
| 182029 Sage D33011/AGI4000/6W/93/A15 | Ø100x78±1mm | AGI4000 | 440 | 6W | 74 | 15° |
| 182030 Sage D33011/AGI3000/6W/93/A24 | Ø100x78±1mm | AGI3000 | 390 | 6W | 65 | 24° |
| 182031 Sage D33011/AGI3500/6W/93/A24 | Ø100x78±1mm | AGI3500 | 415 | 6W | 70 | 24° |
| 182032 Sage D33011/AGI4000/6W/93/A24 | Ø100x78±1mm | AGI4000 | 440 | 6W | 74 | 24° |
| 182033 Sage D33011/AGI3000/6W/93/A36 | Ø100x78±1mm | AGI3000 | 390 | 6W | 65 | 36° |
| 182034 Sage D33011/AGI3500/6W/93/A36 | Ø100x78±1mm | AGI3500 | 415 | 6W | 70 | 36° |
| 182035 Sage D33011/AGI4000/6W/93/A36 | Ø100x78±1mm | AGI4000 | 440 | 6W | 74 | 36° |
| 182036 Sage D33011/AGI3000/8W/93/A15 | Ø100x78±1mm | AGI3000 | 495 | 8W | 62 | 15° |
| 182037 Sage D33011/AGI3500/8W/93/A15 | Ø100x78±1mm | AGI3500 | 530 | 8W | 67 | 15° |
| 182038 Sage D33011/AGI4000/8W/93/A15 | Ø100x78±1mm | AGI4000 | 565 | 8W | 71 | 15° |
| 182039 Sage D33011/AGI3000/8W/93/A24 | Ø100x78±1mm | AGI3000 | 495 | 8W | 62 | 24° |
| 182040 Sage D33011/AGI3500/8W/93/A24 | Ø100x78±1mm | AGI3500 | 530 | 8W | 67 | 24° |
| 182041 Sage D33011/AGI4000/8W/93/A24 | Ø100x78±1mm | AGI4000 | 565 | 8W | 71 | 24° |
| 182042 Sage D33011/AGI3000/8W/93/A36 | Ø100x78±1mm | AGI3000 | 495 | 8W | 62 | 36° |
| 182043 Sage D33011/AGI3500/8W/93/A36 | Ø100x78±1mm | AGI3500 | 530 | 8W | 67 | 36° |
| 182044 Sage D33011/AGI4000/8W/93/A36 | Ø100x78±1mm | AGI4000 | 565 | 8W | 71 | 36° |
| 182045 Sage D33011/AGI3000/10W/93/A15 | Ø100x78±1mm | AGI3000 | 570 | 10W | 57 | 15° |
| 182046 Sage D33011/AGI3500/10W/93/A15 | Ø100x78±1mm | AGI3500 | 610 | 10W | 61 | 15° |
| 182047 Sage D33011/AGI4000/10W/93/A15 | Ø100x78±1mm | AGI4000 | 650 | 10W | 65 | 15° |

SKU SPECIFICATIONS

| Product Code | Dimensions (mm) | CCT (K) | Lumens (lm) | Power (W) | Eff. (lm/watt) | Lens Angle (°) |
|---------------------------------------|-----------------|---------|-------------|-----------|----------------|----------------|
| CRI 93 | | | | | | |
| 182048 Sage D33011/AGI3000/10W/93/A24 | Ø100x78±1mm | AGI3000 | 570 | 10W | 57 | 24° |
| 182049 Sage D33011/AGI3500/10W/93/A24 | Ø100x78±1mm | AGI3500 | 610 | 10W | 61 | 24° |
| 182050 Sage D33011/AGI4000/10W/93/A24 | Ø100x78±1mm | AGI4000 | 650 | 10W | 65 | 24° |
| 182051 Sage D33011/AGI3000/10W/93/A36 | Ø100x78±1mm | AGI3000 | 570 | 10W | 57 | 36° |
| 182052 Sage D33011/AGI3500/10W/93/A36 | Ø100x78±1mm | AGI3500 | 610 | 10W | 61 | 36° |
| 182053 Sage D33011/AGI4000/10W/93/A36 | Ø100x78±1mm | AGI4000 | 650 | 10W | 65 | 36° |