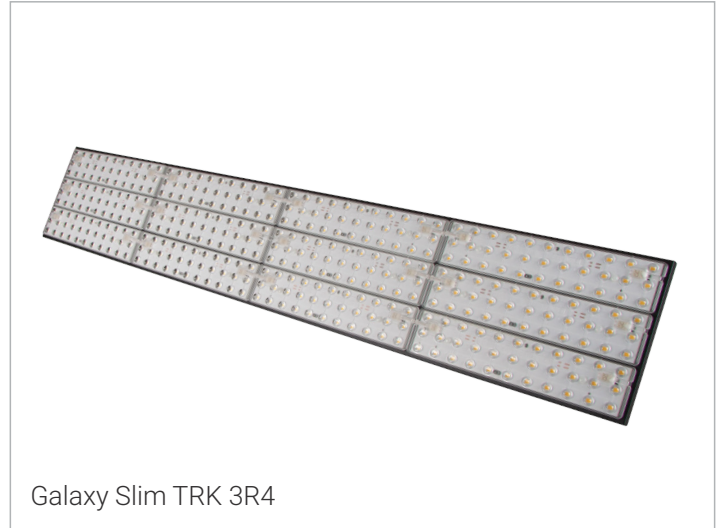




Galaxy Slim TRK 3R2



Galaxy Slim TRK 3R4

Galaxy Slim TRK

TRACK LINEAR | DALI SERIES

An ultra-flat housing luminaire suitable for grocery & supermarket, and DIY applications. Available in different module combinations, with different lengths and types of optics - for a general lighting that amazes through its impressive efficiency and lighting quality ratings. Track mounted, depending on the ceiling height, the module combination and the need for a more specific light beam.

Galaxy Slim TRK has several series, determined by various add-on and controls:

- Galaxy Slim TRK Non-DALI: the standard for grocery stores & supermarkets and DIY
- [Galaxy Slim TRK DALI: with DALI dimming](#)

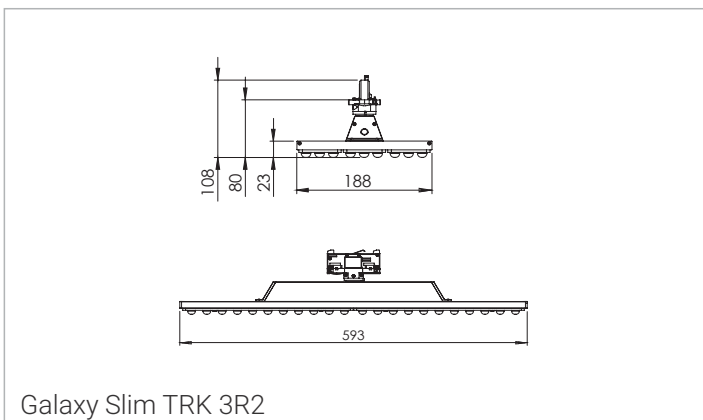
Galaxy Slim TRK is available in two form factors: 3R2 at 60 cm length and 3R4 at 120 cm length.

APPLICATION

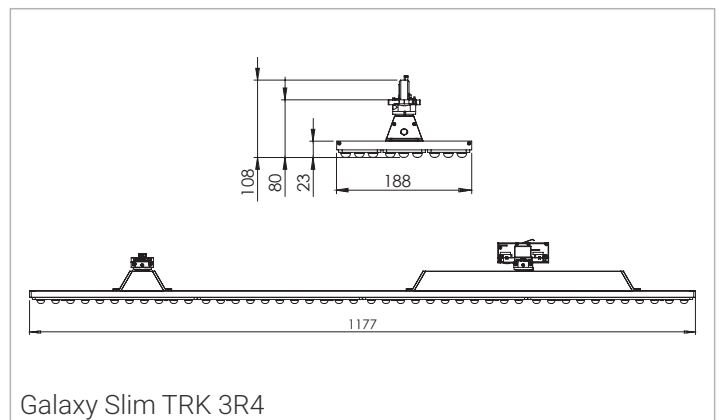
Grocery & Supermarket | Retail | DIY

FEATURES & BENEFITS

- CRI 80 as standard
- 4 color temperatures: 3000K, 4000K, 5000K, 6500K
- Long rated life: L90/B10@50.000h
- Luminaire efficiency:
171 lm/w @4000K for Galaxy Slim TRK 3R2 and
169 lm/w @4000K for Galaxy Slim TRK 3R4



Galaxy Slim TRK 3R2



Galaxy Slim TRK 3R4

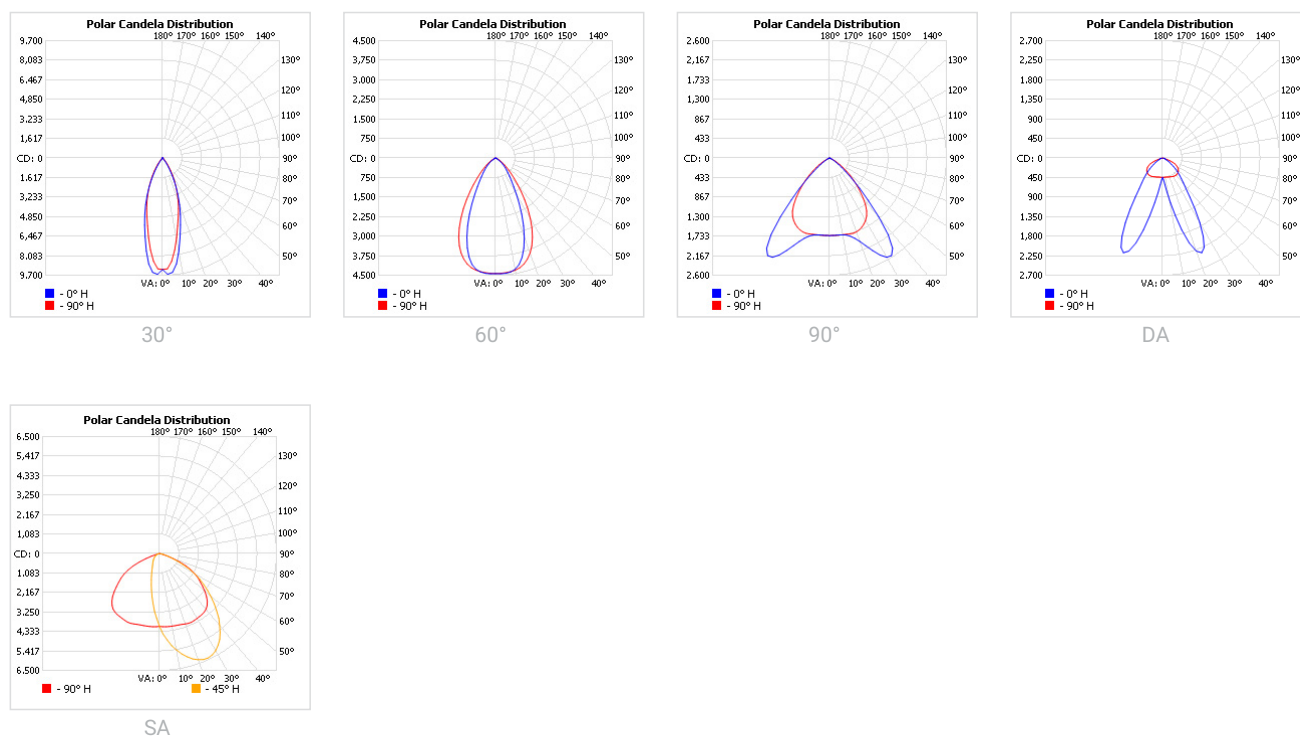
SPECIFICATIONS

Power consumption	28W, 37W, 49W, 60W, 70W	77W, 87W, 102W, 117W, 139W
Dimensions	592.6 x 188.6 x 81 ± 1mm	1176.6 x 188.6 x 81 ± 1mm
Weight	3 Kg	4.8 Kg
Housing materials	Aluminum & Polycarbonate	
IK code	IK02	
THD (at 230V, 50Hz, Full load)	<9%	
Protection class	Safety class 1	
Operating temperature [°C]	-20°C ... +45°C / -4F ... +113F	
Operating humidity [%]	10 ÷ 85	
Power factor	≥0.95	
AC Input [Vac]	220 - 240 VAC	
Lens angle [°]	30°, 60°, 90°, DA, SA	
Lifespan [h]	50,000	
Housing color	● Anodised black, ● Anodised grey	
Lumen maintenance	L90/B10@50.000h at 25°C	
IP factor	IP20	
Control optional	DALI	
Warranty [years]	5	
Storage temperature range [°C]	-20°C ... +55°C / -4F ... +131F	
Emergency option	-	

#	Standard
CRI	CRI80
CCT [K]	3000 / 4000 / 5000 / 6500
MacAdam	4

CRI - Color rendering, CCT - Color temperature, MacAdam - Color consistency

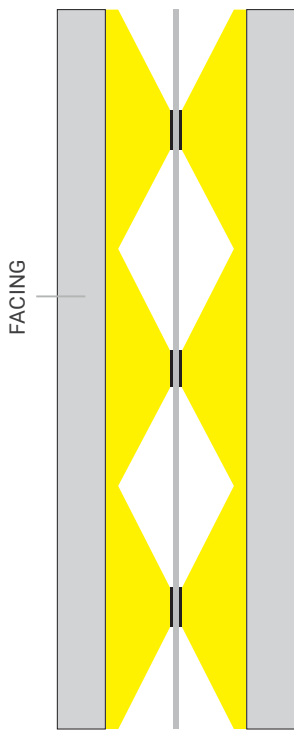
LIGHT DISTRIBUTION



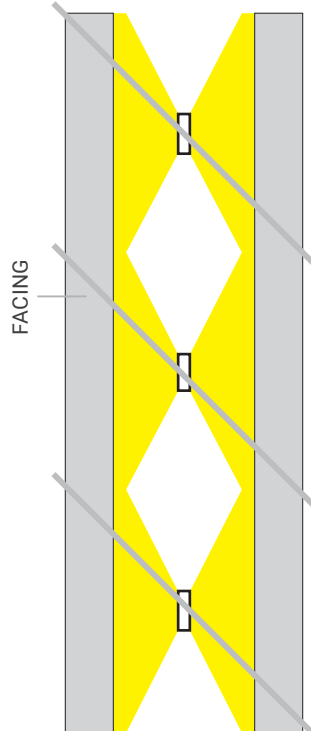
MOUNTING TYPE

Galaxy Slim can be mounted in a variety of ways, so that it accommodates any display shelving layout and any track layout.

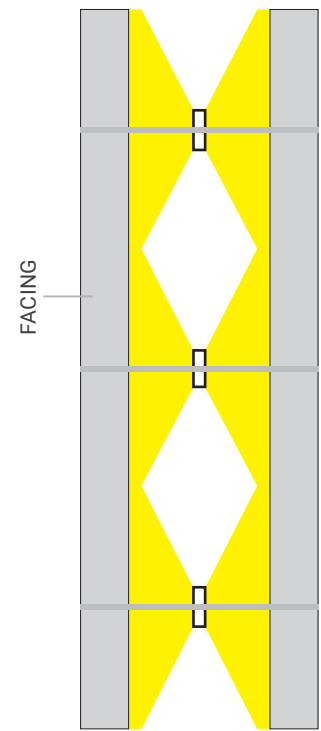
This high flexibility also takes into account and helps with future changes to shelves layout. Luminaires just have to be rotated, without specialized help.



Tracks parallel to facing
3R2, 3R4

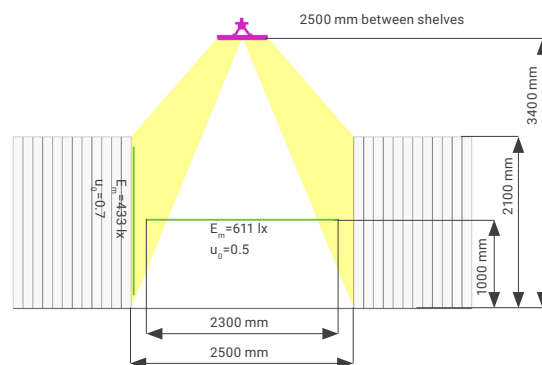
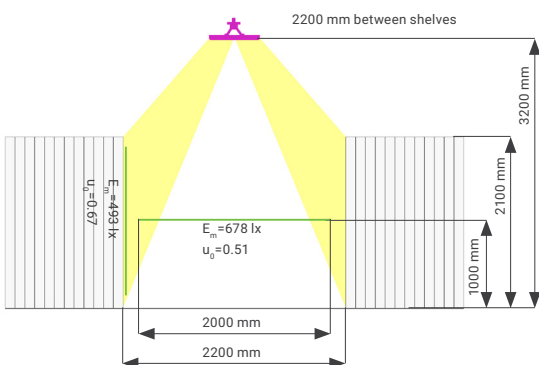
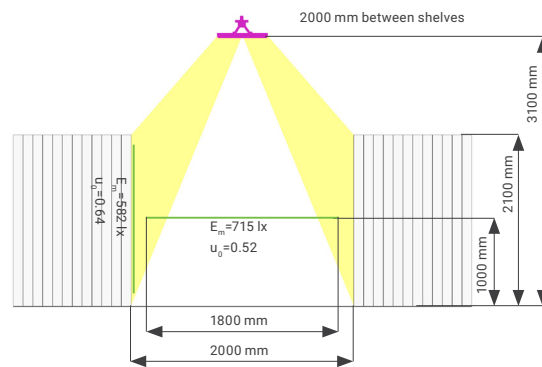
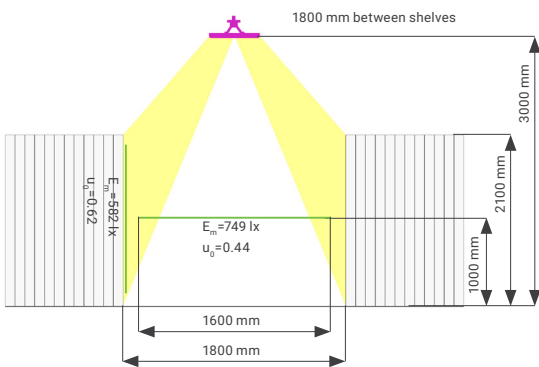


Tracks at 45° to facing
3R2



Tracks at 90° to facing
3R2

AISLE CONFIGURATION



CONFIGURATION
Galaxy Slim TRK 3R2
7180 lumens, 49W
0,9 maintenance factor

TOLERANCES

Luminous flux tolerances: -/+ 5%

Consumption tolerance: -/+ 5% for Non-DALI | -/+ 10% for Non-DALI & KIT EM | -/+ 10% for DALI | -/+ 15% for DALI & KIT EM

BATTERY WARRANTY

Non-DALI EM & DALI EM: 12 months warranty

Non-DALI & DALI: -

MAXIMUM NO. OF LUMINAIRES ON A CIRCUIT

Luminaire Power [W]	Control type	Circuit Breaker Type					
		B			C		
		20	16	10	20	16	10
<50W	Non-DALI	38	30	19	62	51	31
≥ 50W	Non-DALI	38	30	19	62	51	31
<80W	DALI	27	21	13	45	35	21

RISK GROUP

Standard (CRI80)	RG1
FOOD (BVF, FBS, FSM)	RG1
FOOD ≤35W (FZM, FSH)	RG1
FOOD >35W (FZM, FSH)	RG2
FAS	RG1
AMB2200	RG1
ART	RG1
AGI	RG1
CRI90	RG1
CRI95	RG1
ENT	RG1

RG1

The evaluation of photobiological safety is carried out according to the standard IEC 62471:2008 ("Photobiological safety of lamps and lamp systems"). Following the definition of the risk grouping system of the mentioned IEC standard, the LEDs mounted on this family fall into the class "Low Risk (RG1 – No photobiological hazard under normal behavioral limitations)". Under real circumstances (regarding exposure time, pupils, observation distance), it is assumed that there is no endangerment to the eye from these devices. As a matter of principle, however, it should be mentioned that intense light sources have a high secondary exposure potential due to their blinding effect.

RG2

The evaluation of photobiological safety is carried out according to the standard IEC 62471:2008 ("Photobiological safety of lamps and lamp systems"). Following the definition of the risk grouping system of the mentioned IEC standard, the LEDs mounted on this family fall into the class "Moderate Risk (RG2)". Under real circumstances (regarding exposure time, pupils, observation distance), it is assumed that there is no endangerment to the eye from these devices. As a matter of principle, however, it should be mentioned that intense light sources have a high secondary exposure potential due to their blinding effect.

SKU SPECIFICATIONS

Product Code	Dimensions (mm)	CCT (K)	Lumens (lm)	Power (W)	Eff. (lm/watt)	Lens Angle (°)
CRI 80						
270500 Galaxy Slim TRK 3R2 AL/3000/28W/80/A3TB/B	592.6 x 188.6 x 81 ± 1mm	3000	4575	28W	164	30°
270500 Galaxy Slim TRK 3R2 AL/3000/28W/80/A3TB/G	592.6 x 188.6 x 81 ± 1mm	3000	4575	28W	164	30°
270501 Galaxy Slim TRK 3R2 AL/4000/28W/80/A3TB/B	592.6 x 188.6 x 81 ± 1mm	4000	4765	28W	171	30°
270501 Galaxy Slim TRK 3R2 AL/4000/28W/80/A3TB/G	592.6 x 188.6 x 81 ± 1mm	4000	4765	28W	171	30°
270502 Galaxy Slim TRK 3R2 AL/5000/28W/80/A3TB/B	592.6 x 188.6 x 81 ± 1mm	5000	4895	28W	175	30°
270502 Galaxy Slim TRK 3R2 AL/5000/28W/80/A3TB/G	592.6 x 188.6 x 81 ± 1mm	5000	4895	28W	175	30°
270503 Galaxy Slim TRK 3R2 AL/6500/28W/80/A3TB/B	592.6 x 188.6 x 81 ± 1mm	6500	4765	28W	171	30°
270503 Galaxy Slim TRK 3R2 AL/6500/28W/80/A3TB/G	592.6 x 188.6 x 81 ± 1mm	6500	4765	28W	171	30°
270504 Galaxy Slim TRK 3R2 AL/3000/28W/80/A3NB/B	592.6 x 188.6 x 81 ± 1mm	3000	4540	28W	163	60°
270504 Galaxy Slim TRK 3R2 AL/3000/28W/80/A3NB/G	592.6 x 188.6 x 81 ± 1mm	3000	4540	28W	163	60°
270505 Galaxy Slim TRK 3R2 AL/4000/28W/80/A3NB/B	592.6 x 188.6 x 81 ± 1mm	4000	4730	28W	169	60°
270505 Galaxy Slim TRK 3R2 AL/4000/28W/80/A3NB/G	592.6 x 188.6 x 81 ± 1mm	4000	4730	28W	169	60°
270506 Galaxy Slim TRK 3R2 AL/5000/28W/80/A3NB/B	592.6 x 188.6 x 81 ± 1mm	5000	4860	28W	174	60°
270506 Galaxy Slim TRK 3R2 AL/5000/28W/80/A3NB/G	592.6 x 188.6 x 81 ± 1mm	5000	4860	28W	174	60°
270507 Galaxy Slim TRK 3R2 AL/6500/28W/80/A3NB/B	592.6 x 188.6 x 81 ± 1mm	6500	4730	28W	169	60°
270507 Galaxy Slim TRK 3R2 AL/6500/28W/80/A3NB/G	592.6 x 188.6 x 81 ± 1mm	6500	4730	28W	169	60°
270508 Galaxy Slim TRK 3R2 AL/3000/28W/80/A3WB/B	592.6 x 188.6 x 81 ± 1mm	3000	4560	28W	163	90°
270508 Galaxy Slim TRK 3R2 AL/3000/28W/80/A3WB/G	592.6 x 188.6 x 81 ± 1mm	3000	4560	28W	163	90°
270509 Galaxy Slim TRK 3R2 AL/4000/28W/80/A3WB/B	592.6 x 188.6 x 81 ± 1mm	4000	4750	28W	170	90°
270509 Galaxy Slim TRK 3R2 AL/4000/28W/80/A3WB/G	592.6 x 188.6 x 81 ± 1mm	4000	4750	28W	170	90°
270510 Galaxy Slim TRK 3R2 AL/5000/28W/80/A3WB/B	592.6 x 188.6 x 81 ± 1mm	5000	4880	28W	175	90°
270510 Galaxy Slim TRK 3R2 AL/5000/28W/80/A3WB/G	592.6 x 188.6 x 81 ± 1mm	5000	4880	28W	175	90°
270511 Galaxy Slim TRK 3R2 AL/6500/28W/80/A3WB/B	592.6 x 188.6 x 81 ± 1mm	6500	4750	28W	170	90°
270511 Galaxy Slim TRK 3R2 AL/6500/28W/80/A3WB/G	592.6 x 188.6 x 81 ± 1mm	6500	4750	28W	170	90°
270512 Galaxy Slim TRK 3R2 AL/3000/28W/80/A3DA/B	592.6 x 188.6 x 81 ± 1mm	3000	4540	28W	163	DA
270512 Galaxy Slim TRK 3R2 AL/3000/28W/80/A3DA/G	592.6 x 188.6 x 81 ± 1mm	3000	4540	28W	163	DA
270513 Galaxy Slim TRK 3R2 AL/4000/28W/80/A3DA/B	592.6 x 188.6 x 81 ± 1mm	4000	4730	28W	169	DA
270513 Galaxy Slim TRK 3R2 AL/4000/28W/80/A3DA/G	592.6 x 188.6 x 81 ± 1mm	4000	4730	28W	169	DA
270514 Galaxy Slim TRK 3R2 AL/5000/28W/80/A3DA/B	592.6 x 188.6 x 81 ± 1mm	5000	4860	28W	174	DA
270514 Galaxy Slim TRK 3R2 AL/5000/28W/80/A3DA/G	592.6 x 188.6 x 81 ± 1mm	5000	4860	28W	174	DA
270515 Galaxy Slim TRK 3R2 AL/6500/28W/80/A3DA/B	592.6 x 188.6 x 81 ± 1mm	6500	4730	28W	169	DA
270515 Galaxy Slim TRK 3R2 AL/6500/28W/80/A3DA/G	592.6 x 188.6 x 81 ± 1mm	6500	4730	28W	169	DA
270516 Galaxy Slim TRK 3R2 AL/3000/28W/80/A3SA/B	592.6 x 188.6 x 81 ± 1mm	3000	4335	28W	155	SA
270516 Galaxy Slim TRK 3R2 AL/3000/28W/80/A3SA/G	592.6 x 188.6 x 81 ± 1mm	3000	4335	28W	155	SA
270517 Galaxy Slim TRK 3R2 AL/4000/28W/80/A3SA/B	592.6 x 188.6 x 81 ± 1mm	4000	4515	28W	162	SA
270517 Galaxy Slim TRK 3R2 AL/4000/28W/80/A3SA/G	592.6 x 188.6 x 81 ± 1mm	4000	4515	28W	162	SA
270518 Galaxy Slim TRK 3R2 AL/5000/28W/80/A3SA/B	592.6 x 188.6 x 81 ± 1mm	5000	4640	28W	166	SA
270518 Galaxy Slim TRK 3R2 AL/5000/28W/80/A3SA/G	592.6 x 188.6 x 81 ± 1mm	5000	4640	28W	166	SA
270519 Galaxy Slim TRK 3R2 AL/6500/28W/80/A3SA/B	592.6 x 188.6 x 81 ± 1mm	6500	4515	28W	162	SA
270519 Galaxy Slim TRK 3R2 AL/6500/28W/80/A3SA/G	592.6 x 188.6 x 81 ± 1mm	6500	4515	28W	162	SA
270520 Galaxy Slim TRK 3R2 AL/3000/37W/80/A3TB/B	592.6 x 188.6 x 81 ± 1mm	3000	5965	37W	162	30°
270520 Galaxy Slim TRK 3R2 AL/3000/37W/80/A3TB/G	592.6 x 188.6 x 81 ± 1mm	3000	5965	37W	162	30°
270521 Galaxy Slim TRK 3R2 AL/4000/37W/80/A3TB/B	592.6 x 188.6 x 81 ± 1mm	4000	6215	37W	168	30°
270521 Galaxy Slim TRK 3R2 AL/4000/37W/80/A3TB/G	592.6 x 188.6 x 81 ± 1mm	4000	6215	37W	168	30°
270522 Galaxy Slim TRK 3R2 AL/5000/37W/80/A3TB/B	592.6 x 188.6 x 81 ± 1mm	5000	6385	37W	173	30°
270522 Galaxy Slim TRK 3R2 AL/5000/37W/80/A3TB/G	592.6 x 188.6 x 81 ± 1mm	5000	6385	37W	173	30°
270523 Galaxy Slim TRK 3R2 AL/6500/37W/80/A3TB/B	592.6 x 188.6 x 81 ± 1mm	6500	6215	37W	168	30°
270523 Galaxy Slim TRK 3R2 AL/6500/37W/80/A3TB/G	592.6 x 188.6 x 81 ± 1mm	6500	6215	37W	168	30°
270524 Galaxy Slim TRK 3R2 AL/3000/37W/80/A3NB/B	592.6 x 188.6 x 81 ± 1mm	3000	5920	37W	160	60°
270524 Galaxy Slim TRK 3R2 AL/3000/37W/80/A3NB/G	592.6 x 188.6 x 81 ± 1mm	3000	5920	37W	160	60°
270525 Galaxy Slim TRK 3R2 AL/4000/37W/80/A3NB/B	592.6 x 188.6 x 81 ± 1mm	4000	6170	37W	167	60°
270525 Galaxy Slim TRK 3R2 AL/4000/37W/80/A3NB/G	592.6 x 188.6 x 81 ± 1mm	4000	6170	37W	167	60°

SKU SPECIFICATIONS

Product Code	Dimensions (mm)	CCT (K)	Lumens (lm)	Power (W)	Eff. (lm/watt)	Lens Angle (°)
CRI 80						
270526 Galaxy Slim TRK 3R2 AL/5000/37W/80/A3NB/B	592.6 x 188.6 x 81 ± 1mm	5000	6335	37W	172	60°
270526 Galaxy Slim TRK 3R2 AL/5000/37W/80/A3NB/G	592.6 x 188.6 x 81 ± 1mm	5000	6335	37W	172	60°
270527 Galaxy Slim TRK 3R2 AL/6500/37W/80/A3NB/B	592.6 x 188.6 x 81 ± 1mm	6500	6170	37W	167	60°
270527 Galaxy Slim TRK 3R2 AL/6500/37W/80/A3NB/G	592.6 x 188.6 x 81 ± 1mm	6500	6170	37W	167	60°
270528 Galaxy Slim TRK 3R2 AL/3000/37W/80/A3WB/B	592.6 x 188.6 x 81 ± 1mm	3000	5945	37W	161	90°
270528 Galaxy Slim TRK 3R2 AL/3000/37W/80/A3WB/G	592.6 x 188.6 x 81 ± 1mm	3000	5945	37W	161	90°
270529 Galaxy Slim TRK 3R2 AL/4000/37W/80/A3WB/B	592.6 x 188.6 x 81 ± 1mm	4000	6200	37W	168	90°
270529 Galaxy Slim TRK 3R2 AL/4000/37W/80/A3WB/G	592.6 x 188.6 x 81 ± 1mm	4000	6200	37W	168	90°
270530 Galaxy Slim TRK 3R2 AL/5000/37W/80/A3WB/B	592.6 x 188.6 x 81 ± 1mm	5000	6365	37W	172	90°
270530 Galaxy Slim TRK 3R2 AL/5000/37W/80/A3WB/G	592.6 x 188.6 x 81 ± 1mm	5000	6365	37W	172	90°
270531 Galaxy Slim TRK 3R2 AL/6500/37W/80/A3WB/B	592.6 x 188.6 x 81 ± 1mm	6500	6200	37W	168	90°
270531 Galaxy Slim TRK 3R2 AL/6500/37W/80/A3WB/G	592.6 x 188.6 x 81 ± 1mm	6500	6200	37W	168	90°
270532 Galaxy Slim TRK 3R2 AL/3000/37W/80/A3DA/B	592.6 x 188.6 x 81 ± 1mm	3000	5920	37W	160	DA
270532 Galaxy Slim TRK 3R2 AL/3000/37W/80/A3DA/G	592.6 x 188.6 x 81 ± 1mm	3000	5920	37W	160	DA
270533 Galaxy Slim TRK 3R2 AL/4000/37W/80/A3DA/B	592.6 x 188.6 x 81 ± 1mm	4000	6170	37W	167	DA
270533 Galaxy Slim TRK 3R2 AL/4000/37W/80/A3DA/G	592.6 x 188.6 x 81 ± 1mm	4000	6170	37W	167	DA
270534 Galaxy Slim TRK 3R2 AL/5000/37W/80/A3DA/B	592.6 x 188.6 x 81 ± 1mm	5000	6335	37W	172	DA
270534 Galaxy Slim TRK 3R2 AL/5000/37W/80/A3DA/G	592.6 x 188.6 x 81 ± 1mm	5000	6335	37W	172	DA
270535 Galaxy Slim TRK 3R2 AL/6500/37W/80/A3DA/B	592.6 x 188.6 x 81 ± 1mm	6500	6170	37W	167	DA
270535 Galaxy Slim TRK 3R2 AL/6500/37W/80/A3DA/G	592.6 x 188.6 x 81 ± 1mm	6500	6170	37W	167	DA
270536 Galaxy Slim TRK 3R2 AL/3000/37W/80/A3SA/B	592.6 x 188.6 x 81 ± 1mm	3000	5650	37W	153	SA
270536 Galaxy Slim TRK 3R2 AL/3000/37W/80/A3SA/G	592.6 x 188.6 x 81 ± 1mm	3000	5650	37W	153	SA
270537 Galaxy Slim TRK 3R2 AL/4000/37W/80/A3SA/B	592.6 x 188.6 x 81 ± 1mm	4000	5890	37W	160	SA
270537 Galaxy Slim TRK 3R2 AL/4000/37W/80/A3SA/G	592.6 x 188.6 x 81 ± 1mm	4000	5890	37W	160	SA
270538 Galaxy Slim TRK 3R2 AL/5000/37W/80/A3SA/B	592.6 x 188.6 x 81 ± 1mm	5000	6050	37W	164	SA
270538 Galaxy Slim TRK 3R2 AL/5000/37W/80/A3SA/G	592.6 x 188.6 x 81 ± 1mm	5000	6050	37W	164	SA
270539 Galaxy Slim TRK 3R2 AL/6500/37W/80/A3SA/B	592.6 x 188.6 x 81 ± 1mm	6500	5890	37W	160	SA
270539 Galaxy Slim TRK 3R2 AL/6500/37W/80/A3SA/G	592.6 x 188.6 x 81 ± 1mm	6500	5890	37W	160	SA
270540 Galaxy Slim TRK 3R2 AL/3000/49W/80/A3TB/B	592.6 x 188.6 x 81 ± 1mm	3000	7915	49W	162	30°
270540 Galaxy Slim TRK 3R2 AL/3000/49W/80/A3TB/G	592.6 x 188.6 x 81 ± 1mm	3000	7915	49W	162	30°
270541 Galaxy Slim TRK 3R2 AL/4000/49W/80/A3TB/B	592.6 x 188.6 x 81 ± 1mm	4000	8250	49W	169	30°
270541 Galaxy Slim TRK 3R2 AL/4000/49W/80/A3TB/G	592.6 x 188.6 x 81 ± 1mm	4000	8250	49W	169	30°
270542 Galaxy Slim TRK 3R2 AL/5000/49W/80/A3TB/B	592.6 x 188.6 x 81 ± 1mm	5000	8470	49W	173	30°
270542 Galaxy Slim TRK 3R2 AL/5000/49W/80/A3TB/G	592.6 x 188.6 x 81 ± 1mm	5000	8470	49W	173	30°
270543 Galaxy Slim TRK 3R2 AL/6500/49W/80/A3TB/B	592.6 x 188.6 x 81 ± 1mm	6500	8250	49W	169	30°
270543 Galaxy Slim TRK 3R2 AL/6500/49W/80/A3TB/G	592.6 x 188.6 x 81 ± 1mm	6500	8250	49W	169	30°
270544 Galaxy Slim TRK 3R2 AL/3000/49W/80/A3NB/B	592.6 x 188.6 x 81 ± 1mm	3000	7855	49W	161	60°
270544 Galaxy Slim TRK 3R2 AL/3000/49W/80/A3NB/G	592.6 x 188.6 x 81 ± 1mm	3000	7855	49W	161	60°
270545 Galaxy Slim TRK 3R2 AL/4000/49W/80/A3NB/B	592.6 x 188.6 x 81 ± 1mm	4000	8190	49W	168	60°
270545 Galaxy Slim TRK 3R2 AL/4000/49W/80/A3NB/G	592.6 x 188.6 x 81 ± 1mm	4000	8190	49W	168	60°
270546 Galaxy Slim TRK 3R2 AL/5000/49W/80/A3NB/B	592.6 x 188.6 x 81 ± 1mm	5000	8410	49W	172	60°
270546 Galaxy Slim TRK 3R2 AL/5000/49W/80/A3NB/G	592.6 x 188.6 x 81 ± 1mm	5000	8410	49W	172	60°
270547 Galaxy Slim TRK 3R2 AL/6500/49W/80/A3NB/B	592.6 x 188.6 x 81 ± 1mm	6500	8190	49W	168	60°
270547 Galaxy Slim TRK 3R2 AL/6500/49W/80/A3NB/G	592.6 x 188.6 x 81 ± 1mm	6500	8190	49W	168	60°
270548 Galaxy Slim TRK 3R2 AL/3000/49W/80/A3WB/B	592.6 x 188.6 x 81 ± 1mm	3000	7895	49W	162	90°
270548 Galaxy Slim TRK 3R2 AL/3000/49W/80/A3WB/G	592.6 x 188.6 x 81 ± 1mm	3000	7895	49W	162	90°
270549 Galaxy Slim TRK 3R2 AL/4000/49W/80/A3WB/B	592.6 x 188.6 x 81 ± 1mm	4000	8225	49W	168	90°
270549 Galaxy Slim TRK 3R2 AL/4000/49W/80/A3WB/G	592.6 x 188.6 x 81 ± 1mm	4000	8225	49W	168	90°
270550 Galaxy Slim TRK 3R2 AL/5000/49W/80/A3WB/B	592.6 x 188.6 x 81 ± 1mm	5000	8450	49W	173	90°
270550 Galaxy Slim TRK 3R2 AL/5000/49W/80/A3WB/G	592.6 x 188.6 x 81 ± 1mm	5000	8450	49W	173	90°
270551 Galaxy Slim TRK 3R2 AL/6500/49W/80/A3WB/B	592.6 x 188.6 x 81 ± 1mm	6500	8225	49W	168	90°
270551 Galaxy Slim TRK 3R2 AL/6500/49W/80/A3WB/G	592.6 x 188.6 x 81 ± 1mm	6500	8225	49W	168	90°

SKU SPECIFICATIONS

Product Code	Dimensions (mm)	CCT (K)	Lumens (lm)	Power (W)	Eff. (lm/watt)	Lens Angle (°)
CRI 80						
270552 Galaxy Slim TRK 3R2 AL/3000/49W/80/A3DA/B	592.6 x 188.6 x 81 ± 1mm	3000	7855	49W	161	DA
270552 Galaxy Slim TRK 3R2 AL/3000/49W/80/A3DA/G	592.6 x 188.6 x 81 ± 1mm	3000	7855	49W	161	DA
270553 Galaxy Slim TRK 3R2 AL/4000/49W/80/A3DA/B	592.6 x 188.6 x 81 ± 1mm	4000	8190	49W	168	DA
270553 Galaxy Slim TRK 3R2 AL/4000/49W/80/A3DA/G	592.6 x 188.6 x 81 ± 1mm	4000	8190	49W	168	DA
270554 Galaxy Slim TRK 3R2 AL/5000/49W/80/A3DA/B	592.6 x 188.6 x 81 ± 1mm	5000	8410	49W	172	DA
270554 Galaxy Slim TRK 3R2 AL/5000/49W/80/A3DA/G	592.6 x 188.6 x 81 ± 1mm	5000	8410	49W	172	DA
270555 Galaxy Slim TRK 3R2 AL/6500/49W/80/A3DA/B	592.6 x 188.6 x 81 ± 1mm	6500	8190	49W	168	DA
270555 Galaxy Slim TRK 3R2 AL/6500/49W/80/A3DA/G	592.6 x 188.6 x 81 ± 1mm	6500	8190	49W	168	DA
270556 Galaxy Slim TRK 3R2 AL/3000/49W/80/A3SA/B	592.6 x 188.6 x 81 ± 1mm	3000	7500	49W	154	SA
270556 Galaxy Slim TRK 3R2 AL/3000/49W/80/A3SA/G	592.6 x 188.6 x 81 ± 1mm	3000	7500	49W	154	SA
270557 Galaxy Slim TRK 3R2 AL/4000/49W/80/A3SA/B	592.6 x 188.6 x 81 ± 1mm	4000	7820	49W	160	SA
270557 Galaxy Slim TRK 3R2 AL/4000/49W/80/A3SA/G	592.6 x 188.6 x 81 ± 1mm	4000	7820	49W	160	SA
270558 Galaxy Slim TRK 3R2 AL/5000/49W/80/A3SA/B	592.6 x 188.6 x 81 ± 1mm	5000	8030	49W	164	SA
270558 Galaxy Slim TRK 3R2 AL/5000/49W/80/A3SA/G	592.6 x 188.6 x 81 ± 1mm	5000	8030	49W	164	SA
270559 Galaxy Slim TRK 3R2 AL/6500/49W/80/A3SA/B	592.6 x 188.6 x 81 ± 1mm	6500	7820	49W	160	SA
270559 Galaxy Slim TRK 3R2 AL/6500/49W/80/A3SA/G	592.6 x 188.6 x 81 ± 1mm	6500	7820	49W	160	SA
270560 Galaxy Slim TRK 3R2 AL/3000/60W/80/A3TB/B	592.6 x 188.6 x 81 ± 1mm	3000	9305	60W	156	30°
270560 Galaxy Slim TRK 3R2 AL/3000/60W/80/A3TB/G	592.6 x 188.6 x 81 ± 1mm	3000	9305	60W	156	30°
270561 Galaxy Slim TRK 3R2 AL/4000/60W/80/A3TB/B	592.6 x 188.6 x 81 ± 1mm	4000	9695	60W	162	30°
270561 Galaxy Slim TRK 3R2 AL/4000/60W/80/A3TB/G	592.6 x 188.6 x 81 ± 1mm	4000	9695	60W	162	30°
270562 Galaxy Slim TRK 3R2 AL/5000/60W/80/A3TB/B	592.6 x 188.6 x 81 ± 1mm	5000	9960	60W	166	30°
270562 Galaxy Slim TRK 3R2 AL/5000/60W/80/A3TB/G	592.6 x 188.6 x 81 ± 1mm	5000	9960	60W	166	30°
270563 Galaxy Slim TRK 3R2 AL/6500/60W/80/A3TB/B	592.6 x 188.6 x 81 ± 1mm	6500	9695	60W	162	30°
270563 Galaxy Slim TRK 3R2 AL/6500/60W/80/A3TB/G	592.6 x 188.6 x 81 ± 1mm	6500	9695	60W	162	30°
270564 Galaxy Slim TRK 3R2 AL/3000/60W/80/A3NB/B	592.6 x 188.6 x 81 ± 1mm	3000	9235	60W	154	60°
270564 Galaxy Slim TRK 3R2 AL/3000/60W/80/A3NB/G	592.6 x 188.6 x 81 ± 1mm	3000	9235	60W	154	60°
270565 Galaxy Slim TRK 3R2 AL/4000/60W/80/A3NB/B	592.6 x 188.6 x 81 ± 1mm	4000	9625	60W	161	60°
270565 Galaxy Slim TRK 3R2 AL/4000/60W/80/A3NB/G	592.6 x 188.6 x 81 ± 1mm	4000	9625	60W	161	60°
270566 Galaxy Slim TRK 3R2 AL/5000/60W/80/A3NB/B	592.6 x 188.6 x 81 ± 1mm	5000	9885	60W	165	60°
270566 Galaxy Slim TRK 3R2 AL/5000/60W/80/A3NB/G	592.6 x 188.6 x 81 ± 1mm	5000	9885	60W	165	60°
270567 Galaxy Slim TRK 3R2 AL/6500/60W/80/A3NB/B	592.6 x 188.6 x 81 ± 1mm	6500	9625	60W	161	60°
270567 Galaxy Slim TRK 3R2 AL/6500/60W/80/A3NB/G	592.6 x 188.6 x 81 ± 1mm	6500	9625	60W	161	60°
270568 Galaxy Slim TRK 3R2 AL/3000/60W/80/A3WB/B	592.6 x 188.6 x 81 ± 1mm	3000	9275	60W	155	90°
270568 Galaxy Slim TRK 3R2 AL/3000/60W/80/A3WB/G	592.6 x 188.6 x 81 ± 1mm	3000	9275	60W	155	90°
270569 Galaxy Slim TRK 3R2 AL/4000/60W/80/A3WB/B	592.6 x 188.6 x 81 ± 1mm	4000	9670	60W	162	90°
270569 Galaxy Slim TRK 3R2 AL/4000/60W/80/A3WB/G	592.6 x 188.6 x 81 ± 1mm	4000	9670	60W	162	90°
270570 Galaxy Slim TRK 3R2 AL/5000/60W/80/A3WB/B	592.6 x 188.6 x 81 ± 1mm	5000	9930	60W	166	90°
270570 Galaxy Slim TRK 3R2 AL/5000/60W/80/A3WB/G	592.6 x 188.6 x 81 ± 1mm	5000	9930	60W	166	90°
270571 Galaxy Slim TRK 3R2 AL/6500/60W/80/A3WB/B	592.6 x 188.6 x 81 ± 1mm	6500	9670	60W	162	90°
270571 Galaxy Slim TRK 3R2 AL/6500/60W/80/A3WB/G	592.6 x 188.6 x 81 ± 1mm	6500	9670	60W	162	90°
270572 Galaxy Slim TRK 3R2 AL/3000/60W/80/A3DA/B	592.6 x 188.6 x 81 ± 1mm	3000	9235	60W	154	DA
270572 Galaxy Slim TRK 3R2 AL/3000/60W/80/A3DA/G	592.6 x 188.6 x 81 ± 1mm	3000	9235	60W	154	DA
270573 Galaxy Slim TRK 3R2 AL/4000/60W/80/A3DA/B	592.6 x 188.6 x 81 ± 1mm	4000	9625	60W	161	DA
270573 Galaxy Slim TRK 3R2 AL/4000/60W/80/A3DA/G	592.6 x 188.6 x 81 ± 1mm	4000	9625	60W	161	DA
270574 Galaxy Slim TRK 3R2 AL/5000/60W/80/A3DA/B	592.6 x 188.6 x 81 ± 1mm	5000	9885	60W	165	DA
270574 Galaxy Slim TRK 3R2 AL/5000/60W/80/A3DA/G	592.6 x 188.6 x 81 ± 1mm	5000	9885	60W	165	DA
270575 Galaxy Slim TRK 3R2 AL/6500/60W/80/A3DA/B	592.6 x 188.6 x 81 ± 1mm	6500	9625	60W	161	DA
270575 Galaxy Slim TRK 3R2 AL/6500/60W/80/A3DA/G	592.6 x 188.6 x 81 ± 1mm	6500	9625	60W	161	DA
270576 Galaxy Slim TRK 3R2 AL/3000/60W/80/A3SA/B	592.6 x 188.6 x 81 ± 1mm	3000	8815	60W	147	SA
270576 Galaxy Slim TRK 3R2 AL/3000/60W/80/A3SA/G	592.6 x 188.6 x 81 ± 1mm	3000	8815	60W	147	SA
270577 Galaxy Slim TRK 3R2 AL/4000/60W/80/A3SA/B	592.6 x 188.6 x 81 ± 1mm	4000	9190	60W	154	SA
270577 Galaxy Slim TRK 3R2 AL/4000/60W/80/A3SA/G	592.6 x 188.6 x 81 ± 1mm	4000	9190	60W	154	SA

SKU SPECIFICATIONS

Product Code	Dimensions (mm)	CCT (K)	Lumens (lm)	Power (W)	Eff. (lm/watt)	Lens Angle (°)
CRI 80						
270578 Galaxy Slim TRK 3R2 AL/5000/60W/80/A3SA/B	592.6 x 188.6 x 81 ± 1mm	5000	9435	60W	158	SA
270578 Galaxy Slim TRK 3R2 AL/5000/60W/80/A3SA/G	592.6 x 188.6 x 81 ± 1mm	5000	9435	60W	158	SA
270579 Galaxy Slim TRK 3R2 AL/6500/60W/80/A3SA/B	592.6 x 188.6 x 81 ± 1mm	6500	9190	60W	154	SA
270579 Galaxy Slim TRK 3R2 AL/6500/60W/80/A3SA/G	592.6 x 188.6 x 81 ± 1mm	6500	9190	60W	154	SA
270580 Galaxy Slim TRK 3R2 AL/3000/70W/80/A3TB/B	592.6 x 188.6 x 81 ± 1mm	3000	10625	70W	152	30°
270580 Galaxy Slim TRK 3R2 AL/3000/70W/80/A3TB/G	592.6 x 188.6 x 81 ± 1mm	3000	10625	70W	152	30°
270581 Galaxy Slim TRK 3R2 AL/4000/70W/80/A3TB/B	592.6 x 188.6 x 81 ± 1mm	4000	11075	70W	159	30°
270581 Galaxy Slim TRK 3R2 AL/4000/70W/80/A3TB/G	592.6 x 188.6 x 81 ± 1mm	4000	11075	70W	159	30°
270582 Galaxy Slim TRK 3R2 AL/5000/70W/80/A3TB/B	592.6 x 188.6 x 81 ± 1mm	5000	11370	70W	163	30°
270582 Galaxy Slim TRK 3R2 AL/5000/70W/80/A3TB/G	592.6 x 188.6 x 81 ± 1mm	5000	11370	70W	163	30°
270583 Galaxy Slim TRK 3R2 AL/6500/70W/80/A3TB/B	592.6 x 188.6 x 81 ± 1mm	6500	11075	70W	159	30°
270583 Galaxy Slim TRK 3R2 AL/6500/70W/80/A3TB/G	592.6 x 188.6 x 81 ± 1mm	6500	11075	70W	159	30°
270584 Galaxy Slim TRK 3R2 AL/3000/70W/80/A3NB/B	592.6 x 188.6 x 81 ± 1mm	3000	10545	70W	151	60°
270584 Galaxy Slim TRK 3R2 AL/3000/70W/80/A3NB/G	592.6 x 188.6 x 81 ± 1mm	3000	10545	70W	151	60°
270585 Galaxy Slim TRK 3R2 AL/4000/70W/80/A3NB/B	592.6 x 188.6 x 81 ± 1mm	4000	10990	70W	157	60°
270585 Galaxy Slim TRK 3R2 AL/4000/70W/80/A3NB/G	592.6 x 188.6 x 81 ± 1mm	4000	10990	70W	157	60°
270586 Galaxy Slim TRK 3R2 AL/5000/70W/80/A3NB/B	592.6 x 188.6 x 81 ± 1mm	5000	11290	70W	162	60°
270586 Galaxy Slim TRK 3R2 AL/5000/70W/80/A3NB/G	592.6 x 188.6 x 81 ± 1mm	5000	11290	70W	162	60°
270587 Galaxy Slim TRK 3R2 AL/6500/70W/80/A3NB/B	592.6 x 188.6 x 81 ± 1mm	6500	10990	70W	157	60°
270587 Galaxy Slim TRK 3R2 AL/6500/70W/80/A3NB/G	592.6 x 188.6 x 81 ± 1mm	6500	10990	70W	157	60°
270588 Galaxy Slim TRK 3R2 AL/3000/70W/80/A3WB/B	592.6 x 188.6 x 81 ± 1mm	3000	10595	70W	152	90°
270588 Galaxy Slim TRK 3R2 AL/3000/70W/80/A3WB/G	592.6 x 188.6 x 81 ± 1mm	3000	10595	70W	152	90°
270589 Galaxy Slim TRK 3R2 AL/4000/70W/80/A3WB/B	592.6 x 188.6 x 81 ± 1mm	4000	11040	70W	158	90°
270589 Galaxy Slim TRK 3R2 AL/4000/70W/80/A3WB/G	592.6 x 188.6 x 81 ± 1mm	4000	11040	70W	158	90°
270590 Galaxy Slim TRK 3R2 AL/5000/70W/80/A3WB/B	592.6 x 188.6 x 81 ± 1mm	5000	11340	70W	162	90°
270590 Galaxy Slim TRK 3R2 AL/5000/70W/80/A3WB/G	592.6 x 188.6 x 81 ± 1mm	5000	11340	70W	162	90°
270591 Galaxy Slim TRK 3R2 AL/6500/70W/80/A3WB/B	592.6 x 188.6 x 81 ± 1mm	6500	11040	70W	158	90°
270591 Galaxy Slim TRK 3R2 AL/6500/70W/80/A3WB/G	592.6 x 188.6 x 81 ± 1mm	6500	11040	70W	158	90°
270592 Galaxy Slim TRK 3R2 AL/3000/70W/80/A3DA/B	592.6 x 188.6 x 81 ± 1mm	3000	10545	70W	151	DA
270592 Galaxy Slim TRK 3R2 AL/3000/70W/80/A3DA/G	592.6 x 188.6 x 81 ± 1mm	3000	10545	70W	151	DA
270593 Galaxy Slim TRK 3R2 AL/4000/70W/80/A3DA/B	592.6 x 188.6 x 81 ± 1mm	4000	10990	70W	157	DA
270593 Galaxy Slim TRK 3R2 AL/4000/70W/80/A3DA/G	592.6 x 188.6 x 81 ± 1mm	4000	10990	70W	157	DA
270594 Galaxy Slim TRK 3R2 AL/5000/70W/80/A3DA/B	592.6 x 188.6 x 81 ± 1mm	5000	11290	70W	162	DA
270594 Galaxy Slim TRK 3R2 AL/5000/70W/80/A3DA/G	592.6 x 188.6 x 81 ± 1mm	5000	11290	70W	162	DA
270595 Galaxy Slim TRK 3R2 AL/6500/70W/80/A3DA/B	592.6 x 188.6 x 81 ± 1mm	6500	10990	70W	157	DA
270595 Galaxy Slim TRK 3R2 AL/6500/70W/80/A3DA/G	592.6 x 188.6 x 81 ± 1mm	6500	10990	70W	157	DA
270596 Galaxy Slim TRK 3R2 AL/3000/70W/80/A3SA/B	592.6 x 188.6 x 81 ± 1mm	3000	10070	70W	144	SA
270596 Galaxy Slim TRK 3R2 AL/3000/70W/80/A3SA/G	592.6 x 188.6 x 81 ± 1mm	3000	10070	70W	144	SA
270597 Galaxy Slim TRK 3R2 AL/4000/70W/80/A3SA/B	592.6 x 188.6 x 81 ± 1mm	4000	10495	70W	150	SA
270597 Galaxy Slim TRK 3R2 AL/4000/70W/80/A3SA/G	592.6 x 188.6 x 81 ± 1mm	4000	10495	70W	150	SA
270598 Galaxy Slim TRK 3R2 AL/5000/70W/80/A3SA/B	592.6 x 188.6 x 81 ± 1mm	5000	10775	70W	154	SA
270598 Galaxy Slim TRK 3R2 AL/5000/70W/80/A3SA/G	592.6 x 188.6 x 81 ± 1mm	5000	10775	70W	154	SA
270599 Galaxy Slim TRK 3R2 AL/6500/70W/80/A3SA/B	592.6 x 188.6 x 81 ± 1mm	6500	10495	70W	150	SA
270599 Galaxy Slim TRK 3R2 AL/6500/70W/80/A3SA/G	592.6 x 188.6 x 81 ± 1mm	6500	10495	70W	150	SA
270600 Galaxy Slim TRK 3R4 AL/3000/77W/80/A3TB/B	1176.6 x 188.6 x 81 ± 1mm	3000	12430	77W	162	30°
270600 Galaxy Slim TRK 3R4 AL/3000/77W/80/A3TB/G	1176.6 x 188.6 x 81 ± 1mm	3000	12430	77W	162	30°
270601 Galaxy Slim TRK 3R4 AL/4000/77W/80/A3TB/B	1176.6 x 188.6 x 81 ± 1mm	4000	12955	77W	169	30°
270601 Galaxy Slim TRK 3R4 AL/4000/77W/80/A3TB/G	1176.6 x 188.6 x 81 ± 1mm	4000	12955	77W	169	30°
270602 Galaxy Slim TRK 3R4 AL/5000/77W/80/A3TB/B	1176.6 x 188.6 x 81 ± 1mm	5000	13305	77W	173	30°
270602 Galaxy Slim TRK 3R4 AL/5000/77W/80/A3TB/G	1176.6 x 188.6 x 81 ± 1mm	5000	13305	77W	173	30°
270603 Galaxy Slim TRK 3R4 AL/6500/77W/80/A3TB/B	1176.6 x 188.6 x 81 ± 1mm	6500	12955	77W	169	30°
270603 Galaxy Slim TRK 3R4 AL/6500/77W/80/A3TB/G	1176.6 x 188.6 x 81 ± 1mm	6500	12955	77W	169	30°

SKU SPECIFICATIONS

Product Code	Dimensions (mm)	CCT (K)	Lumens (lm)	Power (W)	Eff. (lm/watt)	Lens Angle (°)
CRI 80						
270604 Galaxy Slim TRK 3R4 AL/3000/77W/80/A3NB/B	1176.6 x 188.6 x 81 ± 1mm	3000	12340	77W	161	60°
270604 Galaxy Slim TRK 3R4 AL/3000/77W/80/A3NB/G	1176.6 x 188.6 x 81 ± 1mm	3000	12340	77W	161	60°
270605 Galaxy Slim TRK 3R4 AL/4000/77W/80/A3NB/B	1176.6 x 188.6 x 81 ± 1mm	4000	12860	77W	167	60°
270605 Galaxy Slim TRK 3R4 AL/4000/77W/80/A3NB/G	1176.6 x 188.6 x 81 ± 1mm	4000	12860	77W	167	60°
270606 Galaxy Slim TRK 3R4 AL/5000/77W/80/A3NB/B	1176.6 x 188.6 x 81 ± 1mm	5000	13205	77W	172	60°
270606 Galaxy Slim TRK 3R4 AL/5000/77W/80/A3NB/G	1176.6 x 188.6 x 81 ± 1mm	5000	13205	77W	172	60°
270607 Galaxy Slim TRK 3R4 AL/6500/77W/80/A3NB/B	1176.6 x 188.6 x 81 ± 1mm	6500	12860	77W	167	60°
270607 Galaxy Slim TRK 3R4 AL/6500/77W/80/A3NB/G	1176.6 x 188.6 x 81 ± 1mm	6500	12860	77W	167	60°
270608 Galaxy Slim TRK 3R4 AL/3000/77W/80/A3WB/B	1176.6 x 188.6 x 81 ± 1mm	3000	12395	77W	161	90°
270608 Galaxy Slim TRK 3R4 AL/3000/77W/80/A3WB/G	1176.6 x 188.6 x 81 ± 1mm	3000	12395	77W	161	90°
270609 Galaxy Slim TRK 3R4 AL/4000/77W/80/A3WB/B	1176.6 x 188.6 x 81 ± 1mm	4000	12920	77W	168	90°
270609 Galaxy Slim TRK 3R4 AL/4000/77W/80/A3WB/G	1176.6 x 188.6 x 81 ± 1mm	4000	12920	77W	168	90°
270610 Galaxy Slim TRK 3R4 AL/5000/77W/80/A3WB/B	1176.6 x 188.6 x 81 ± 1mm	5000	13265	77W	173	90°
270610 Galaxy Slim TRK 3R4 AL/5000/77W/80/A3WB/G	1176.6 x 188.6 x 81 ± 1mm	5000	13265	77W	173	90°
270611 Galaxy Slim TRK 3R4 AL/6500/77W/80/A3WB/B	1176.6 x 188.6 x 81 ± 1mm	6500	12920	77W	168	90°
270611 Galaxy Slim TRK 3R4 AL/6500/77W/80/A3WB/G	1176.6 x 188.6 x 81 ± 1mm	6500	12920	77W	168	90°
270612 Galaxy Slim TRK 3R4 AL/3000/77W/80/A3DA/B	1176.6 x 188.6 x 81 ± 1mm	3000	12340	77W	161	DA
270612 Galaxy Slim TRK 3R4 AL/3000/77W/80/A3DA/G	1176.6 x 188.6 x 81 ± 1mm	3000	12340	77W	161	DA
270613 Galaxy Slim TRK 3R4 AL/4000/77W/80/A3DA/B	1176.6 x 188.6 x 81 ± 1mm	4000	12860	77W	167	DA
270613 Galaxy Slim TRK 3R4 AL/4000/77W/80/A3DA/G	1176.6 x 188.6 x 81 ± 1mm	4000	12860	77W	167	DA
270614 Galaxy Slim TRK 3R4 AL/5000/77W/80/A3DA/B	1176.6 x 188.6 x 81 ± 1mm	5000	13205	77W	172	DA
270614 Galaxy Slim TRK 3R4 AL/5000/77W/80/A3DA/G	1176.6 x 188.6 x 81 ± 1mm	5000	13205	77W	172	DA
270615 Galaxy Slim TRK 3R4 AL/6500/77W/80/A3DA/B	1176.6 x 188.6 x 81 ± 1mm	6500	12860	77W	167	DA
270615 Galaxy Slim TRK 3R4 AL/6500/77W/80/A3DA/G	1176.6 x 188.6 x 81 ± 1mm	6500	12860	77W	167	DA
270616 Galaxy Slim TRK 3R4 AL/3000/77W/80/A3SA/B	1176.6 x 188.6 x 81 ± 1mm	3000	11780	77W	153	SA
270616 Galaxy Slim TRK 3R4 AL/3000/77W/80/A3SA/G	1176.6 x 188.6 x 81 ± 1mm	3000	11780	77W	153	SA
270617 Galaxy Slim TRK 3R4 AL/4000/77W/80/A3SA/B	1176.6 x 188.6 x 81 ± 1mm	4000	12280	77W	160	SA
270617 Galaxy Slim TRK 3R4 AL/4000/77W/80/A3SA/G	1176.6 x 188.6 x 81 ± 1mm	4000	12280	77W	160	SA
270618 Galaxy Slim TRK 3R4 AL/5000/77W/80/A3SA/B	1176.6 x 188.6 x 81 ± 1mm	5000	12610	77W	164	SA
270618 Galaxy Slim TRK 3R4 AL/5000/77W/80/A3SA/G	1176.6 x 188.6 x 81 ± 1mm	5000	12610	77W	164	SA
270619 Galaxy Slim TRK 3R4 AL/6500/77W/80/A3SA/B	1176.6 x 188.6 x 81 ± 1mm	6500	12280	77W	160	SA
270619 Galaxy Slim TRK 3R4 AL/6500/77W/80/A3SA/G	1176.6 x 188.6 x 81 ± 1mm	6500	12280	77W	160	SA
270620 Galaxy Slim TRK 3R4 AL/3000/87W/80/A3TB/B	1176.6 x 188.6 x 81 ± 1mm	3000	13890	87W	160	30°
270620 Galaxy Slim TRK 3R4 AL/3000/87W/80/A3TB/G	1176.6 x 188.6 x 81 ± 1mm	3000	13890	87W	160	30°
270621 Galaxy Slim TRK 3R4 AL/4000/87W/80/A3TB/B	1176.6 x 188.6 x 81 ± 1mm	4000	14480	87W	167	30°
270621 Galaxy Slim TRK 3R4 AL/4000/87W/80/A3TB/G	1176.6 x 188.6 x 81 ± 1mm	4000	14480	87W	167	30°
270622 Galaxy Slim TRK 3R4 AL/5000/87W/80/A3TB/B	1176.6 x 188.6 x 81 ± 1mm	5000	14870	87W	171	30°
270622 Galaxy Slim TRK 3R4 AL/5000/87W/80/A3TB/G	1176.6 x 188.6 x 81 ± 1mm	5000	14870	87W	171	30°
270623 Galaxy Slim TRK 3R4 AL/6500/87W/80/A3TB/B	1176.6 x 188.6 x 81 ± 1mm	6500	14480	87W	167	30°
270623 Galaxy Slim TRK 3R4 AL/6500/87W/80/A3TB/G	1176.6 x 188.6 x 81 ± 1mm	6500	14480	87W	167	30°
270624 Galaxy Slim TRK 3R4 AL/3000/87W/80/A3NB/B	1176.6 x 188.6 x 81 ± 1mm	3000	13790	87W	159	60°
270624 Galaxy Slim TRK 3R4 AL/3000/87W/80/A3NB/G	1176.6 x 188.6 x 81 ± 1mm	3000	13790	87W	159	60°
270625 Galaxy Slim TRK 3R4 AL/4000/87W/80/A3NB/B	1176.6 x 188.6 x 81 ± 1mm	4000	14375	87W	166	60°
270625 Galaxy Slim TRK 3R4 AL/4000/87W/80/A3NB/G	1176.6 x 188.6 x 81 ± 1mm	4000	14375	87W	166	60°
270626 Galaxy Slim TRK 3R4 AL/5000/87W/80/A3NB/B	1176.6 x 188.6 x 81 ± 1mm	5000	14760	87W	170	60°
270626 Galaxy Slim TRK 3R4 AL/5000/87W/80/A3NB/G	1176.6 x 188.6 x 81 ± 1mm	5000	14760	87W	170	60°
270627 Galaxy Slim TRK 3R4 AL/6500/87W/80/A3NB/B	1176.6 x 188.6 x 81 ± 1mm	6500	14375	87W	166	60°
270627 Galaxy Slim TRK 3R4 AL/6500/87W/80/A3NB/G	1176.6 x 188.6 x 81 ± 1mm	6500	14375	87W	166	60°
270628 Galaxy Slim TRK 3R4 AL/3000/87W/80/A3WB/B	1176.6 x 188.6 x 81 ± 1mm	3000	13855	87W	160	90°
270628 Galaxy Slim TRK 3R4 AL/3000/87W/80/A3WB/G	1176.6 x 188.6 x 81 ± 1mm	3000	13855	87W	160	90°
270629 Galaxy Slim TRK 3R4 AL/4000/87W/80/A3WB/B	1176.6 x 188.6 x 81 ± 1mm	4000	14440	87W	166	90°
270629 Galaxy Slim TRK 3R4 AL/4000/87W/80/A3WB/G	1176.6 x 188.6 x 81 ± 1mm	4000	14440	87W	166	90°

SKU SPECIFICATIONS

Product Code	Dimensions (mm)	CCT (K)	Lumens (lm)	Power (W)	Eff. (lm/watt)	Lens Angle (°)
CRI 80						
270630 Galaxy Slim TRK 3R4 AL/5000/87W/80/A3WB/B	1176.6 x 188.6 x 81 ± 1mm	5000	14830	87W	171	90°
270630 Galaxy Slim TRK 3R4 AL/5000/87W/80/A3WB/G	1176.6 x 188.6 x 81 ± 1mm	5000	14830	87W	171	90°
270631 Galaxy Slim TRK 3R4 AL/6500/87W/80/A3WB/B	1176.6 x 188.6 x 81 ± 1mm	6500	14440	87W	166	90°
270631 Galaxy Slim TRK 3R4 AL/6500/87W/80/A3WB/G	1176.6 x 188.6 x 81 ± 1mm	6500	14440	87W	166	90°
270632 Galaxy Slim TRK 3R4 AL/3000/87W/80/A3DA/B	1176.6 x 188.6 x 81 ± 1mm	3000	13790	87W	159	DA
270632 Galaxy Slim TRK 3R4 AL/3000/87W/80/A3DA/G	1176.6 x 188.6 x 81 ± 1mm	3000	13790	87W	159	DA
270633 Galaxy Slim TRK 3R4 AL/4000/87W/80/A3DA/B	1176.6 x 188.6 x 81 ± 1mm	4000	14375	87W	166	DA
270633 Galaxy Slim TRK 3R4 AL/4000/87W/80/A3DA/G	1176.6 x 188.6 x 81 ± 1mm	4000	14375	87W	166	DA
270634 Galaxy Slim TRK 3R4 AL/5000/87W/80/A3DA/B	1176.6 x 188.6 x 81 ± 1mm	5000	14760	87W	170	DA
270634 Galaxy Slim TRK 3R4 AL/5000/87W/80/A3DA/G	1176.6 x 188.6 x 81 ± 1mm	5000	14760	87W	170	DA
270635 Galaxy Slim TRK 3R4 AL/6500/87W/80/A3DA/B	1176.6 x 188.6 x 81 ± 1mm	6500	14375	87W	166	DA
270635 Galaxy Slim TRK 3R4 AL/6500/87W/80/A3DA/G	1176.6 x 188.6 x 81 ± 1mm	6500	14375	87W	166	DA
270636 Galaxy Slim TRK 3R4 AL/3000/87W/80/A3SA/B	1176.6 x 188.6 x 81 ± 1mm	3000	13165	87W	152	SA
270636 Galaxy Slim TRK 3R4 AL/3000/87W/80/A3SA/G	1176.6 x 188.6 x 81 ± 1mm	3000	13165	87W	152	SA
270637 Galaxy Slim TRK 3R4 AL/4000/87W/80/A3SA/B	1176.6 x 188.6 x 81 ± 1mm	4000	13725	87W	158	SA
270637 Galaxy Slim TRK 3R4 AL/4000/87W/80/A3SA/G	1176.6 x 188.6 x 81 ± 1mm	4000	13725	87W	158	SA
270638 Galaxy Slim TRK 3R4 AL/5000/87W/80/A3SA/B	1176.6 x 188.6 x 81 ± 1mm	5000	14095	87W	162	SA
270638 Galaxy Slim TRK 3R4 AL/5000/87W/80/A3SA/G	1176.6 x 188.6 x 81 ± 1mm	5000	14095	87W	162	SA
270639 Galaxy Slim TRK 3R4 AL/6500/87W/80/A3SA/B	1176.6 x 188.6 x 81 ± 1mm	6500	13725	87W	158	SA
270639 Galaxy Slim TRK 3R4 AL/6500/87W/80/A3SA/G	1176.6 x 188.6 x 81 ± 1mm	6500	13725	87W	158	SA
270640 Galaxy Slim TRK 3R4 AL/3000/102W/80/A3TB/B	1176.6 x 188.6 x 81 ± 1mm	3000	15815	102W	156	30°
270640 Galaxy Slim TRK 3R4 AL/3000/102W/80/A3TB/G	1176.6 x 188.6 x 81 ± 1mm	3000	15815	102W	156	30°
270641 Galaxy Slim TRK 3R4 AL/4000/102W/80/A3TB/B	1176.6 x 188.6 x 81 ± 1mm	4000	16485	102W	162	30°
270641 Galaxy Slim TRK 3R4 AL/4000/102W/80/A3TB/G	1176.6 x 188.6 x 81 ± 1mm	4000	16485	102W	162	30°
270642 Galaxy Slim TRK 3R4 AL/5000/102W/80/A3TB/B	1176.6 x 188.6 x 81 ± 1mm	5000	16930	102W	166	30°
270642 Galaxy Slim TRK 3R4 AL/5000/102W/80/A3TB/G	1176.6 x 188.6 x 81 ± 1mm	5000	16930	102W	166	30°
270643 Galaxy Slim TRK 3R4 AL/6500/102W/80/A3TB/B	1176.6 x 188.6 x 81 ± 1mm	6500	16485	102W	162	30°
270643 Galaxy Slim TRK 3R4 AL/6500/102W/80/A3TB/G	1176.6 x 188.6 x 81 ± 1mm	6500	16485	102W	162	30°
270644 Galaxy Slim TRK 3R4 AL/3000/102W/80/A3NB/B	1176.6 x 188.6 x 81 ± 1mm	3000	15700	102W	154	60°
270644 Galaxy Slim TRK 3R4 AL/3000/102W/80/A3NB/G	1176.6 x 188.6 x 81 ± 1mm	3000	15700	102W	154	60°
270645 Galaxy Slim TRK 3R4 AL/4000/102W/80/A3NB/B	1176.6 x 188.6 x 81 ± 1mm	4000	16365	102W	161	60°
270645 Galaxy Slim TRK 3R4 AL/4000/102W/80/A3NB/G	1176.6 x 188.6 x 81 ± 1mm	4000	16365	102W	161	60°
270646 Galaxy Slim TRK 3R4 AL/5000/102W/80/A3NB/B	1176.6 x 188.6 x 81 ± 1mm	5000	16805	102W	165	60°
270646 Galaxy Slim TRK 3R4 AL/5000/102W/80/A3NB/G	1176.6 x 188.6 x 81 ± 1mm	5000	16805	102W	165	60°
270647 Galaxy Slim TRK 3R4 AL/6500/102W/80/A3NB/B	1176.6 x 188.6 x 81 ± 1mm	6500	16365	102W	161	60°
270647 Galaxy Slim TRK 3R4 AL/6500/102W/80/A3NB/G	1176.6 x 188.6 x 81 ± 1mm	6500	16365	102W	161	60°
270648 Galaxy Slim TRK 3R4 AL/3000/102W/80/A3WB/B	1176.6 x 188.6 x 81 ± 1mm	3000	15770	102W	155	90°
270648 Galaxy Slim TRK 3R4 AL/3000/102W/80/A3WB/G	1176.6 x 188.6 x 81 ± 1mm	3000	15770	102W	155	90°
270649 Galaxy Slim TRK 3R4 AL/4000/102W/80/A3WB/B	1176.6 x 188.6 x 81 ± 1mm	4000	16435	102W	162	90°
270649 Galaxy Slim TRK 3R4 AL/4000/102W/80/A3WB/G	1176.6 x 188.6 x 81 ± 1mm	4000	16435	102W	162	90°
270650 Galaxy Slim TRK 3R4 AL/5000/102W/80/A3WB/B	1176.6 x 188.6 x 81 ± 1mm	5000	16880	102W	166	90°
270650 Galaxy Slim TRK 3R4 AL/5000/102W/80/A3WB/G	1176.6 x 188.6 x 81 ± 1mm	5000	16880	102W	166	90°
270651 Galaxy Slim TRK 3R4 AL/6500/102W/80/A3WB/B	1176.6 x 188.6 x 81 ± 1mm	6500	16435	102W	162	90°
270651 Galaxy Slim TRK 3R4 AL/6500/102W/80/A3WB/G	1176.6 x 188.6 x 81 ± 1mm	6500	16435	102W	162	90°
270652 Galaxy Slim TRK 3R4 AL/3000/102W/80/A3DA/B	1176.6 x 188.6 x 81 ± 1mm	3000	15700	102W	154	DA
270652 Galaxy Slim TRK 3R4 AL/3000/102W/80/A3DA/G	1176.6 x 188.6 x 81 ± 1mm	3000	15700	102W	154	DA
270653 Galaxy Slim TRK 3R4 AL/4000/102W/80/A3DA/B	1176.6 x 188.6 x 81 ± 1mm	4000	16365	102W	161	DA
270653 Galaxy Slim TRK 3R4 AL/4000/102W/80/A3DA/G	1176.6 x 188.6 x 81 ± 1mm	4000	16365	102W	161	DA
270654 Galaxy Slim TRK 3R4 AL/5000/102W/80/A3DA/B	1176.6 x 188.6 x 81 ± 1mm	5000	16805	102W	165	DA
270654 Galaxy Slim TRK 3R4 AL/5000/102W/80/A3DA/G	1176.6 x 188.6 x 81 ± 1mm	5000	16805	102W	165	DA
270655 Galaxy Slim TRK 3R4 AL/6500/102W/80/A3DA/B	1176.6 x 188.6 x 81 ± 1mm	6500	16365	102W	161	DA
270655 Galaxy Slim TRK 3R4 AL/6500/102W/80/A3DA/G	1176.6 x 188.6 x 81 ± 1mm	6500	16365	102W	161	DA

SKU SPECIFICATIONS

Product Code	Dimensions (mm)	CCT (K)	Lumens (lm)	Power (W)	Eff. (lm/watt)	Lens Angle (°)
CRI 80						
270656 Galaxy Slim TRK 3R4 AL/3000/102W/80/A3SA/B	1176.6 x 188.6 x 81 ± 1mm	3000	14990	102W	147	SA
270656 Galaxy Slim TRK 3R4 AL/3000/102W/80/A3SA/G	1176.6 x 188.6 x 81 ± 1mm	3000	14990	102W	147	SA
270657 Galaxy Slim TRK 3R4 AL/4000/102W/80/A3SA/B	1176.6 x 188.6 x 81 ± 1mm	4000	15620	102W	154	SA
270657 Galaxy Slim TRK 3R4 AL/4000/102W/80/A3SA/G	1176.6 x 188.6 x 81 ± 1mm	4000	15620	102W	154	SA
270658 Galaxy Slim TRK 3R4 AL/5000/102W/80/A3SA/B	1176.6 x 188.6 x 81 ± 1mm	5000	16045	102W	158	SA
270658 Galaxy Slim TRK 3R4 AL/5000/102W/80/A3SA/G	1176.6 x 188.6 x 81 ± 1mm	5000	16045	102W	158	SA
270659 Galaxy Slim TRK 3R4 AL/6500/102W/80/A3SA/B	1176.6 x 188.6 x 81 ± 1mm	6500	15620	102W	154	SA
270659 Galaxy Slim TRK 3R4 AL/6500/102W/80/A3SA/G	1176.6 x 188.6 x 81 ± 1mm	6500	15620	102W	154	SA
270660 Galaxy Slim TRK 3R4 AL/3000/117W/80/A3TB/B	1176.6 x 188.6 x 81 ± 1mm	3000	17315	117W	148	30°
270660 Galaxy Slim TRK 3R4 AL/3000/117W/80/A3TB/G	1176.6 x 188.6 x 81 ± 1mm	3000	17315	117W	148	30°
270661 Galaxy Slim TRK 3R4 AL/4000/117W/80/A3TB/B	1176.6 x 188.6 x 81 ± 1mm	4000	18045	117W	155	30°
270661 Galaxy Slim TRK 3R4 AL/4000/117W/80/A3TB/G	1176.6 x 188.6 x 81 ± 1mm	4000	18045	117W	155	30°
270662 Galaxy Slim TRK 3R4 AL/5000/117W/80/A3TB/B	1176.6 x 188.6 x 81 ± 1mm	5000	18530	117W	159	30°
270662 Galaxy Slim TRK 3R4 AL/5000/117W/80/A3TB/G	1176.6 x 188.6 x 81 ± 1mm	5000	18530	117W	159	30°
270663 Galaxy Slim TRK 3R4 AL/6500/117W/80/A3TB/B	1176.6 x 188.6 x 81 ± 1mm	6500	18045	117W	155	30°
270663 Galaxy Slim TRK 3R4 AL/6500/117W/80/A3TB/G	1176.6 x 188.6 x 81 ± 1mm	6500	18045	117W	155	30°
270664 Galaxy Slim TRK 3R4 AL/3000/117W/80/A3NB/B	1176.6 x 188.6 x 81 ± 1mm	3000	17190	117W	147	60°
270664 Galaxy Slim TRK 3R4 AL/3000/117W/80/A3NB/G	1176.6 x 188.6 x 81 ± 1mm	3000	17190	117W	147	60°
270665 Galaxy Slim TRK 3R4 AL/4000/117W/80/A3NB/B	1176.6 x 188.6 x 81 ± 1mm	4000	17915	117W	154	60°
270665 Galaxy Slim TRK 3R4 AL/4000/117W/80/A3NB/G	1176.6 x 188.6 x 81 ± 1mm	4000	17915	117W	154	60°
270666 Galaxy Slim TRK 3R4 AL/5000/117W/80/A3NB/B	1176.6 x 188.6 x 81 ± 1mm	5000	18400	117W	158	60°
270666 Galaxy Slim TRK 3R4 AL/5000/117W/80/A3NB/G	1176.6 x 188.6 x 81 ± 1mm	5000	18400	117W	158	60°
270667 Galaxy Slim TRK 3R4 AL/6500/117W/80/A3NB/B	1176.6 x 188.6 x 81 ± 1mm	6500	17915	117W	154	60°
270667 Galaxy Slim TRK 3R4 AL/6500/117W/80/A3NB/G	1176.6 x 188.6 x 81 ± 1mm	6500	17915	117W	154	60°
270668 Galaxy Slim TRK 3R4 AL/3000/117W/80/A3WB/B	1176.6 x 188.6 x 81 ± 1mm	3000	17265	117W	148	90°
270668 Galaxy Slim TRK 3R4 AL/3000/117W/80/A3WB/G	1176.6 x 188.6 x 81 ± 1mm	3000	17265	117W	148	90°
270669 Galaxy Slim TRK 3R4 AL/4000/117W/80/A3WB/B	1176.6 x 188.6 x 81 ± 1mm	4000	17995	117W	154	90°
270669 Galaxy Slim TRK 3R4 AL/4000/117W/80/A3WB/G	1176.6 x 188.6 x 81 ± 1mm	4000	17995	117W	154	90°
270670 Galaxy Slim TRK 3R4 AL/5000/117W/80/A3WB/B	1176.6 x 188.6 x 81 ± 1mm	5000	18480	117W	158	90°
270670 Galaxy Slim TRK 3R4 AL/5000/117W/80/A3WB/G	1176.6 x 188.6 x 81 ± 1mm	5000	18480	117W	158	90°
270671 Galaxy Slim TRK 3R4 AL/6500/117W/80/A3WB/B	1176.6 x 188.6 x 81 ± 1mm	6500	17995	117W	154	90°
270671 Galaxy Slim TRK 3R4 AL/6500/117W/80/A3WB/G	1176.6 x 188.6 x 81 ± 1mm	6500	17995	117W	154	90°
270672 Galaxy Slim TRK 3R4 AL/3000/117W/80/A3DA/B	1176.6 x 188.6 x 81 ± 1mm	3000	17190	117W	147	DA
270672 Galaxy Slim TRK 3R4 AL/3000/117W/80/A3DA/G	1176.6 x 188.6 x 81 ± 1mm	3000	17190	117W	147	DA
270673 Galaxy Slim TRK 3R4 AL/4000/117W/80/A3DA/B	1176.6 x 188.6 x 81 ± 1mm	4000	17915	117W	154	DA
270673 Galaxy Slim TRK 3R4 AL/4000/117W/80/A3DA/G	1176.6 x 188.6 x 81 ± 1mm	4000	17915	117W	154	DA
270674 Galaxy Slim TRK 3R4 AL/5000/117W/80/A3DA/B	1176.6 x 188.6 x 81 ± 1mm	5000	18400	117W	158	DA
270674 Galaxy Slim TRK 3R4 AL/5000/117W/80/A3DA/G	1176.6 x 188.6 x 81 ± 1mm	5000	18400	117W	158	DA
270675 Galaxy Slim TRK 3R4 AL/6500/117W/80/A3DA/B	1176.6 x 188.6 x 81 ± 1mm	6500	17915	117W	154	DA
270675 Galaxy Slim TRK 3R4 AL/6500/117W/80/A3DA/G	1176.6 x 188.6 x 81 ± 1mm	6500	17915	117W	154	DA
270676 Galaxy Slim TRK 3R4 AL/3000/117W/80/A3SA/B	1176.6 x 188.6 x 81 ± 1mm	3000	16410	117W	141	SA
270676 Galaxy Slim TRK 3R4 AL/3000/117W/80/A3SA/G	1176.6 x 188.6 x 81 ± 1mm	3000	16410	117W	141	SA
270677 Galaxy Slim TRK 3R4 AL/4000/117W/80/A3SA/B	1176.6 x 188.6 x 81 ± 1mm	4000	17105	117W	147	SA
270677 Galaxy Slim TRK 3R4 AL/4000/117W/80/A3SA/G	1176.6 x 188.6 x 81 ± 1mm	4000	17105	117W	147	SA
270678 Galaxy Slim TRK 3R4 AL/5000/117W/80/A3SA/B	1176.6 x 188.6 x 81 ± 1mm	5000	17565	117W	151	SA
270678 Galaxy Slim TRK 3R4 AL/5000/117W/80/A3SA/G	1176.6 x 188.6 x 81 ± 1mm	5000	17565	117W	151	SA
270679 Galaxy Slim TRK 3R4 AL/6500/117W/80/A3SA/B	1176.6 x 188.6 x 81 ± 1mm	6500	17105	117W	147	SA
270679 Galaxy Slim TRK 3R4 AL/6500/117W/80/A3SA/G	1176.6 x 188.6 x 81 ± 1mm	6500	17105	117W	147	SA
270680 Galaxy Slim TRK 3R4 AL/3000/139W/80/A3TB/B	1176.6 x 188.6 x 81 ± 1mm	3000	18745	139W	135	30°
270680 Galaxy Slim TRK 3R4 AL/3000/139W/80/A3TB/G	1176.6 x 188.6 x 81 ± 1mm	3000	18745	139W	135	30°
270681 Galaxy Slim TRK 3R4 AL/4000/139W/80/A3TB/B	1176.6 x 188.6 x 81 ± 1mm	4000	19535	139W	141	30°
270681 Galaxy Slim TRK 3R4 AL/4000/139W/80/A3TB/G	1176.6 x 188.6 x 81 ± 1mm	4000	19535	139W	141	30°

SKU SPECIFICATIONS

Product Code	Dimensions (mm)	CCT (K)	Lumens (lm)	Power (W)	Eff. (lm/watt)	Lens Angle (°)
CRI 80						
270682 Galaxy Slim TRK 3R4 AL/5000/139W/80/A3TB/B	1176.6 x 188.6 x 81 ± 1mm	5000	20065	139W	145	30°
270682 Galaxy Slim TRK 3R4 AL/5000/139W/80/A3TB/G	1176.6 x 188.6 x 81 ± 1mm	5000	20065	139W	145	30°
270683 Galaxy Slim TRK 3R4 AL/6500/139W/80/A3TB/B	1176.6 x 188.6 x 81 ± 1mm	6500	19535	139W	141	30°
270683 Galaxy Slim TRK 3R4 AL/6500/139W/80/A3TB/G	1176.6 x 188.6 x 81 ± 1mm	6500	19535	139W	141	30°
270684 Galaxy Slim TRK 3R4 AL/3000/139W/80/A3NB/B	1176.6 x 188.6 x 81 ± 1mm	3000	18610	139W	134	60°
270684 Galaxy Slim TRK 3R4 AL/3000/139W/80/A3NB/G	1176.6 x 188.6 x 81 ± 1mm	3000	18610	139W	134	60°
270685 Galaxy Slim TRK 3R4 AL/4000/139W/80/A3NB/B	1176.6 x 188.6 x 81 ± 1mm	4000	19395	139W	140	60°
270685 Galaxy Slim TRK 3R4 AL/4000/139W/80/A3NB/G	1176.6 x 188.6 x 81 ± 1mm	4000	19395	139W	140	60°
270686 Galaxy Slim TRK 3R4 AL/5000/139W/80/A3NB/B	1176.6 x 188.6 x 81 ± 1mm	5000	19915	139W	144	60°
270686 Galaxy Slim TRK 3R4 AL/5000/139W/80/A3NB/G	1176.6 x 188.6 x 81 ± 1mm	5000	19915	139W	144	60°
270687 Galaxy Slim TRK 3R4 AL/6500/139W/80/A3NB/B	1176.6 x 188.6 x 81 ± 1mm	6500	19395	139W	140	60°
270687 Galaxy Slim TRK 3R4 AL/6500/139W/80/A3NB/G	1176.6 x 188.6 x 81 ± 1mm	6500	19395	139W	140	60°
270688 Galaxy Slim TRK 3R4 AL/3000/139W/80/A3WB/B	1176.6 x 188.6 x 81 ± 1mm	3000	18690	139W	135	90°
270688 Galaxy Slim TRK 3R4 AL/3000/139W/80/A3WB/G	1176.6 x 188.6 x 81 ± 1mm	3000	18690	139W	135	90°
270689 Galaxy Slim TRK 3R4 AL/4000/139W/80/A3WB/B	1176.6 x 188.6 x 81 ± 1mm	4000	19480	139W	141	90°
270689 Galaxy Slim TRK 3R4 AL/4000/139W/80/A3WB/G	1176.6 x 188.6 x 81 ± 1mm	4000	19480	139W	141	90°
270690 Galaxy Slim TRK 3R4 AL/5000/139W/80/A3WB/B	1176.6 x 188.6 x 81 ± 1mm	5000	20005	139W	144	90°
270690 Galaxy Slim TRK 3R4 AL/5000/139W/80/A3WB/G	1176.6 x 188.6 x 81 ± 1mm	5000	20005	139W	144	90°
270691 Galaxy Slim TRK 3R4 AL/6500/139W/80/A3WB/B	1176.6 x 188.6 x 81 ± 1mm	6500	19480	139W	141	90°
270691 Galaxy Slim TRK 3R4 AL/6500/139W/80/A3WB/G	1176.6 x 188.6 x 81 ± 1mm	6500	19480	139W	141	90°
270692 Galaxy Slim TRK 3R4 AL/3000/139W/80/A3DA/B	1176.6 x 188.6 x 81 ± 1mm	3000	18610	139W	134	DA
270692 Galaxy Slim TRK 3R4 AL/3000/139W/80/A3DA/G	1176.6 x 188.6 x 81 ± 1mm	3000	18610	139W	134	DA
270693 Galaxy Slim TRK 3R4 AL/4000/139W/80/A3DA/B	1176.6 x 188.6 x 81 ± 1mm	4000	19395	139W	140	DA
270693 Galaxy Slim TRK 3R4 AL/4000/139W/80/A3DA/G	1176.6 x 188.6 x 81 ± 1mm	4000	19395	139W	140	DA
270694 Galaxy Slim TRK 3R4 AL/5000/139W/80/A3DA/B	1176.6 x 188.6 x 81 ± 1mm	5000	19915	139W	144	DA
270694 Galaxy Slim TRK 3R4 AL/5000/139W/80/A3DA/G	1176.6 x 188.6 x 81 ± 1mm	5000	19915	139W	144	DA
270695 Galaxy Slim TRK 3R4 AL/6500/139W/80/A3DA/B	1176.6 x 188.6 x 81 ± 1mm	6500	19395	139W	140	DA
270695 Galaxy Slim TRK 3R4 AL/6500/139W/80/A3DA/G	1176.6 x 188.6 x 81 ± 1mm	6500	19395	139W	140	DA
270696 Galaxy Slim TRK 3R4 AL/3000/139W/80/A3SA/B	1176.6 x 188.6 x 81 ± 1mm	3000	17765	139W	128	SA
270696 Galaxy Slim TRK 3R4 AL/3000/139W/80/A3SA/G	1176.6 x 188.6 x 81 ± 1mm	3000	17765	139W	128	SA
270697 Galaxy Slim TRK 3R4 AL/4000/139W/80/A3SA/B	1176.6 x 188.6 x 81 ± 1mm	4000	18515	139W	134	SA
270697 Galaxy Slim TRK 3R4 AL/4000/139W/80/A3SA/G	1176.6 x 188.6 x 81 ± 1mm	4000	18515	139W	134	SA
270698 Galaxy Slim TRK 3R4 AL/5000/139W/80/A3SA/B	1176.6 x 188.6 x 81 ± 1mm	5000	19015	139W	137	SA
270698 Galaxy Slim TRK 3R4 AL/5000/139W/80/A3SA/G	1176.6 x 188.6 x 81 ± 1mm	5000	19015	139W	137	SA
270699 Galaxy Slim TRK 3R4 AL/6500/139W/80/A3SA/B	1176.6 x 188.6 x 81 ± 1mm	6500	18515	139W	134	SA
270699 Galaxy Slim TRK 3R4 AL/6500/139W/80/A3SA/G	1176.6 x 188.6 x 81 ± 1mm	6500	18515	139W	134	SA

Technical specifications can be modified without prior notice. All information is property of Greentek Lighting.

The presentation picture is for information purposes only. Latest document update: November 19, 2019 11:00 AM. www.greentek.eu