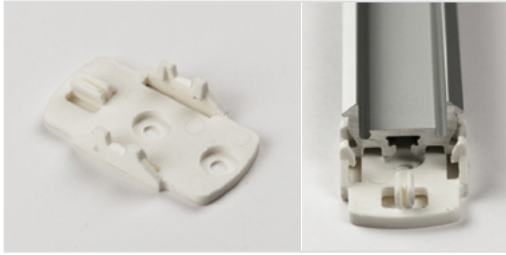


Accessories

MOUNT | FIXING PLATES

88166859 PLATE ECS 0° WITH STUDS

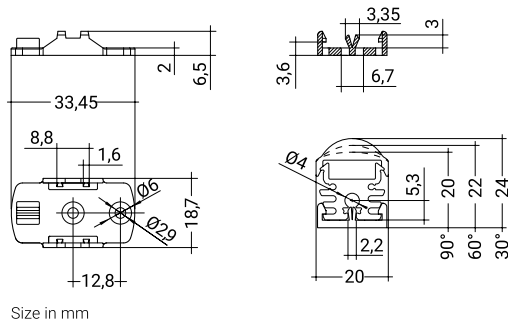
RoHS



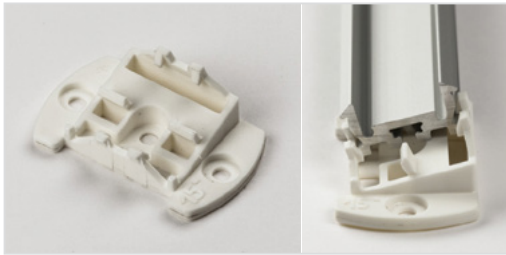
- With studs to prevent sliding in the longitudinal direction
- Material: PBT
- Colour: white

TECHNICAL DATA

| | |
|---|-----------------------|
| Ambient temperature finally installed | -30 ... +80 °C |
| Ambient temperature during mounting the engine or the profile | +10 ... +30 °C |
| Dimensions L x W x H | 33.45 x 18.7 x 6.5 mm |
| Weight | 0.002 kg |

**88167372** PLATE ECS 15°

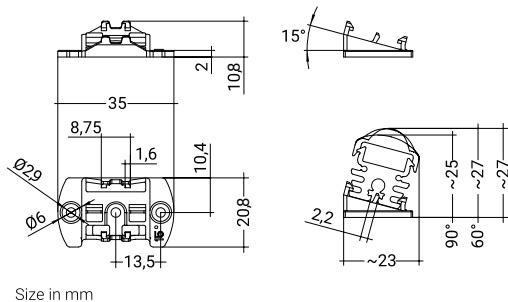
RoHS



- With studs to prevent sliding in the longitudinal direction
- Material: PBT
- Colour: white

TECHNICAL DATA

| | |
|---|---------------------|
| Ambient temperature finally installed | -30 ... +80 °C |
| Ambient temperature during mounting the engine or the profile | +10 ... +30 °C |
| Dimensions L x W x H | 35 x 20.8 x 10.8 mm |
| Weight | 0.002 kg |

**88167377** SHELF HOLDER

RoHS



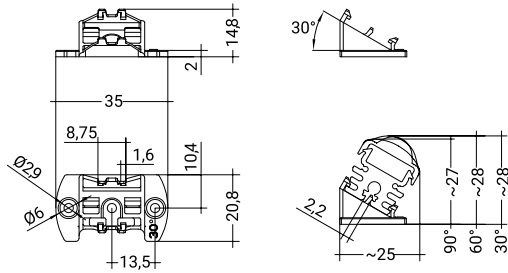
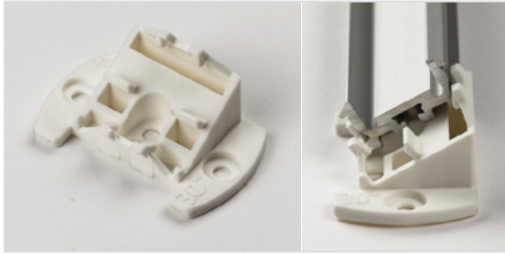
- Use: Below lower shelves
- Material: Plastic
- Angle: Preconfigured at 30° for optimal illumination of the goods on show below
- Fixing: Thanks to the support on the lower shelf display area, simple to install using the groove provided on the outer sides of the shelf holders (caution: left and right versions of the shelf holders)

TECHNICAL DATA

| | |
|--|--|
| Ambient temperature finally installed | -30 ... +30 °C |
| Ambient temperature when installing the light or profile | +10 ... +30 °C |
| Dimensions L x W x H | 21 x 3.5 x 1.5 mm / complete shelf holder 21 x 8.5 x 1.5mm |
| Weight | 24 g (weight per pair 48g) |

88167373 PLATE ECS 30°

RoHS



Size in mm

- With studs to prevent sliding in the longitudinal direction
- Material: PBT
- Colour: white

TECHNICAL DATA

Ambient temperature finally installed

-30 ... +80 °C

Ambient temperature during mounting the engine or the profile

+10 ... +30 °C

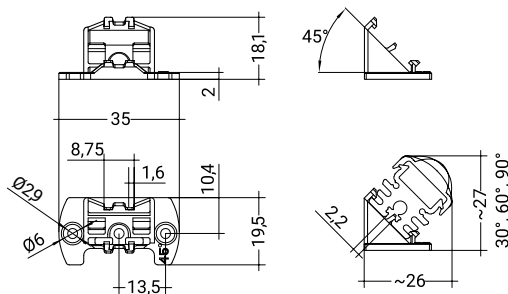
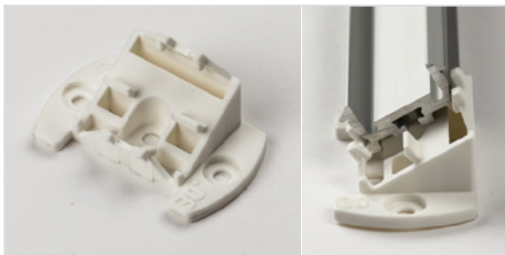
Dimensions L x W x H

35 x 20.8 x 14.8 mm

Weight

0.002 kg**88167374 PLATE ECS 45°**

RoHS



Size in mm

- With studs to prevent sliding in the longitudinal direction
- Material: PBT
- Colour: white

TECHNICAL DATA

Ambient temperature finally installed

-30 ... +80 °C

Ambient temperature during mounting the engine or the profile

+10 ... +30 °C

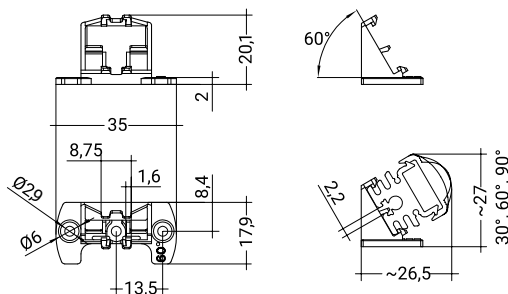
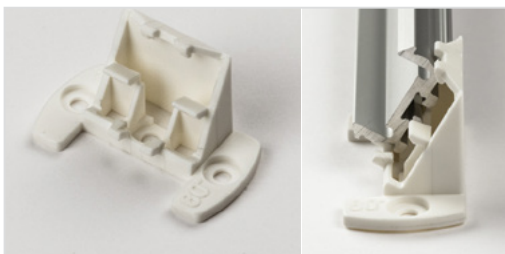
Dimensions L x W x H

35 x 19.5 x 18.1 mm

Weight

0.002 kg**88167375 PLATE ECS 60°**

RoHS



Size in mm

- With studs to prevent sliding in the longitudinal direction
- Material: PBT
- Colour: white

TECHNICAL DATA

Ambient temperature finally installed

-30 ... +80 °C

Ambient temperature during mounting the engine or the profile

+10 ... +30 °C

Dimensions L x W x H

35 x 17.9 x 20.1 mm

Weight

0.002 kg

88167376 PLATE METAL 0°

RoHS



• Material: Metal

TECHNICAL DATA

Ambient temperature finally installed

-30 ... +80 °C

Ambient temperature during mounting the engine or the profile

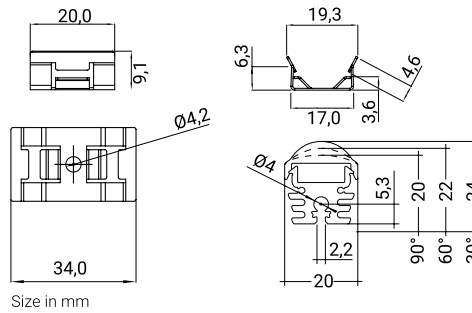
+10 ... +30 °C

Dimensions L x W x H

34 x 20 x 9.1 mm

Weight

0.002 kg



88167382 PLATE METAL 0° MAGNETIC

RoHS



• Material: Metal

TECHNICAL DATA

Ambient temperature finally installed

-30 ... +80 °C

Ambient temperature during mounting the engine or the profile

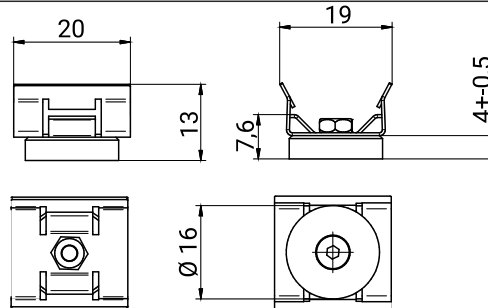
+10 ... +30 °C

Dimensions L x W x H

20 x 19 x 13 mm

Weight

0.009 kg



88167378 PLATE METAL 30°

RoHS



• Material: Metal

TECHNICAL DATA

Ambient temperature finally installed

-30 ... +80 °C

Ambient temperature during mounting the engine or the profile

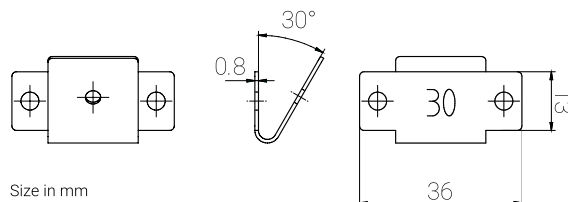
+10 ... +30 °C

Dimensions L x W x H

36 x 13 x 23 mm

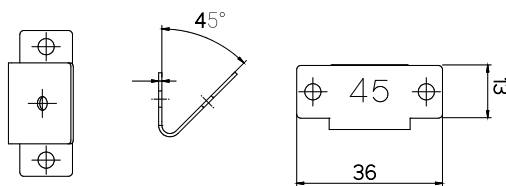
Weight

0.009 kg



88167379 PLATE METAL 45°

RoHS



Size in mm

- Material: Metal

TECHNICAL DATA

Ambient temperature finally installed

-30 ... +80 °C

Ambient temperature during mounting the engine or the profile

+10 ... +30 °C

Dimensions L x W x H

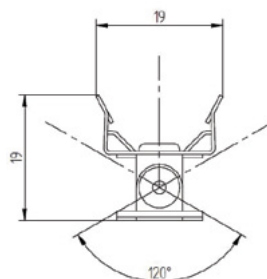
36 x 13 x 26 mm

Weight

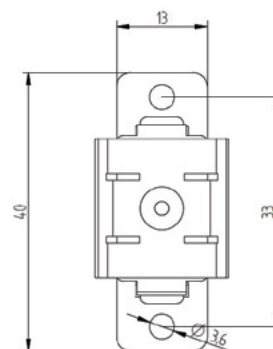
0.009 kg

88167381 PLATE METAL ADJUSTABLE

RoHS



Size in mm



- Material: Metal

- Angle adjustable -60° bis +60°

TECHNICAL DATA

Ambient temperature finally installed

-30 ... +80 °C

Ambient temperature during mounting the engine or the profile

+10 ... +30 °C

Dimensions L x W x H

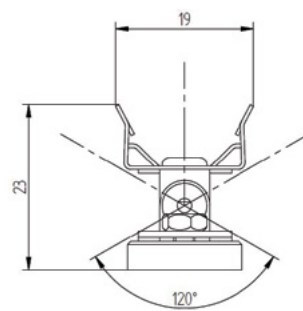
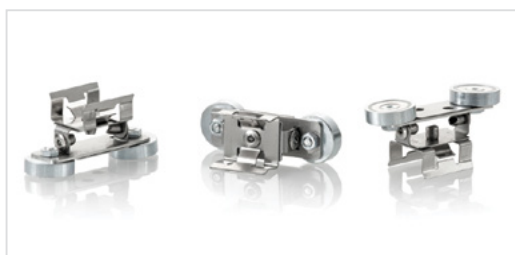
40 x 19 x 19 mm

Weight

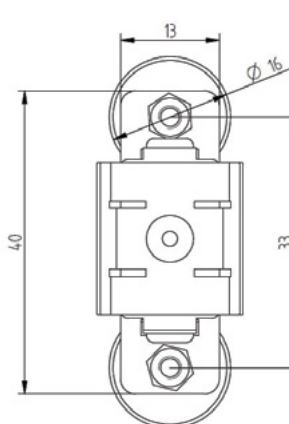
0.010 kg

88167385 PLATE METAL ADJUSTABLE MAGNETIC

RoHS



Size in mm



- Material: Metal

- Angle adjustable -60° bis +60°

TECHNICAL DATA

Ambient temperature finally installed

-30 ... +80 °C

Ambient temperature during mounting the engine or the profile

+10 ... +30 °C

Dimensions L x W x H

49 x 19 x 23 mm

Weight

0.024 kg