



Casey

DAMP-PROOF | TEC SERIES

A surface-mounted, waterproof lighting fixture suitable for industrial applications. It has a wide beam angle of 130 degrees. Suitable for use in damp or dusty conditions thanks to the extra protection factor.

Low-maintenance luminaire that is easy to clean and offers few surfaces on which dirt can settle. High energy-saving potential, even for extensively used lighting needs in spaces such as logistic and industrial, warehouses.

Housing made of curved-lines polycarbonate and equipped with high quality polyurethane gasket for high durability. With an IP65 protection factor.

Casey damp-proof luminaires come in several series, with various add-on and controls:

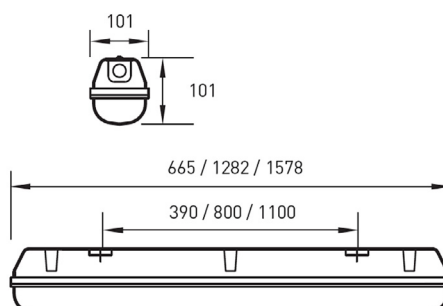
- Casey TEC – the standard for any project in the retail sectors, works down to -10 degrees Celsius
- Casey TEC EM – series with emergency lighting kit, works down to +5 degrees Celsius
- Casey ECO-DALI – with DALI controls for dimming, works down to -25 degrees Celsius

FEATURES & BENEFITS

- CRI 80 as standard
- 4 color temperatures: 3000K, 4000K, 5000K and 6500K
- Long rated life – L90/B10 at 50,000h
- High luminaire efficiency: 155 lm/W @4000K

APPLICATIONS

Industrial & Logistic | Parking



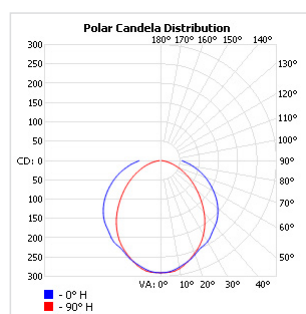
Specifications

Power consumption	8W, 15W, 24W	15W, 25W, 32W, 38W, 50W	23W, 33W, 37W, 50W, 60W
Dimensions	665 x 101 x 101 ± 1mm	1282 x 101 x 101 ± 1mm	1578 x 101 x 101 ± 1mm
Weight	1.1Kg	1.9Kg	2.3Kg
Housing materials	Polycarbonate		
IK code	IK08		
THD (at 230V, 50Hz, Full load)	<8%		
Protection class	Safety class 1		
Operating temperature [°C]	-10C...+45C/+14F...+113F		
Operating humidity [%]	10 ÷ 85		
Power factor	≥0.95		
AC Input [Vac]	220 - 240 VAC		
Lens angle [°]	130°		
Lifespan [h]	50,000		
Housing color	● RAL7035 - Light grey		
Lumen maintenance	L90/B10@50.000h at 25°C		
IP factor	IP65		
Control optional	For product information please see Casey ECO-DALI datasheet		
Warranty [years]	5		
Storage temperature range [°C]	-10C...+55C/+14F...+131F		
Emergency option	For product information please see Casey TEC EM datasheet		

Light application	Standard
CRI	CRI 80
CCT [K]	3000K/4000K/5000K/6500K
MacAdam	4

CRI - Color rendering, CCT - Color temperature, MacAdam - Color consistency

Light distribution



A130

RISK GROUP

RG1

The evaluation of photobiological safety is carried out according to the standard IEC 62471:2008 (“Photobiological safety of lamps and lamp systems”). Following the definition of the risk grouping system of the mentioned IEC standard, the LEDs mounted on this family fall into the class “Low Risk (RG1 – No photobiological hazard under normal behavioral limitations)”. Under real circumstances (regarding exposure time, pupils, observation distance), it is assumed that there is no endangerment to the eye from these devices. As a matter of principle, however, it should be mentioned that intense light sources have a high secondary exposure potential due to their blinding effect.

TOLERANCES

Luminous flux tolerances: -/+ 5%

Consumption tolerance: -/+ 5% for TEC | -/+ 10% for TEC & KIT EM | -/+ 10% for ECO-DALI | -/+ 15% for ECO-DALI & KIT EM

BATTERY WARRANTY

TEC EM & ECO EM: 12 months warranty

TEC & ECO: -

MAXIMUM NO. OF LUMINAIRES ON A CIRCUIT

Power	Driver type	Control type	Circuit Breaker Type						
			Amperage	B			C		
				20	16	10	20	16	10
< 50W		TEC		37	30	18	62	51	31
≥ 50W		TEC		37	30	18	62	51	31
< 80W		ECO		27	21	13	45	35	21

SKU SPECIFICATIONS

Product Code	Dimensions (mm)	CCT (K)	Lumens (lm)	Power (W)	Eff. (lm/watt)	Lens Angle (°)
CRI 80						
103000 Casey/60IP65/3000/8W/80	665 x 101 x 101 ± 1mm	3000	960	8W	120	130°
103001 Casey/60IP65/4000/8W/80	665 x 101 x 101 ± 1mm	4000	1005	8W	126	130°
103002 Casey/60IP65/5000/8W/80	665 x 101 x 101 ± 1mm	5000	1030	8W	129	130°
103003 Casey/60IP65/6500/8W/80	665 x 101 x 101 ± 1mm	6500	1005	8W	126	130°
103004 Casey/60IP65/3000/15W/80	665 x 101 x 101 ± 1mm	3000	1775	15W	119	130°
103005 Casey/60IP65/4000/15W/80	665 x 101 x 101 ± 1mm	4000	1850	15W	124	130°
103006 Casey/60IP65/5000/15W/80	665 x 101 x 101 ± 1mm	5000	1900	15W	127	130°
103007 Casey/60IP65/6500/15W/80	665 x 101 x 101 ± 1mm	6500	1850	15W	124	130°
103264 Casey/60IP65/3000/24W/80	665 x 101 x 101 ± 1mm	3000	2935	24W	123	130°
103265 Casey/60IP65/4000/24W/80	665 x 101 x 101 ± 1mm	4000	3060	24W	128	130°
103266 Casey/60IP65/5000/24W/80	665 x 101 x 101 ± 1mm	5000	3145	24W	132	130°
103267 Casey/60IP65/6500/24W/80	665 x 101 x 101 ± 1mm	6500	3060	24W	128	130°
103008 Casey/120IP65/3000/15W/80	1282 x 101 x 101 ± 1mm	3000	2040	15W	136	130°
103009 Casey/120IP65/4000/15W/80	1282 x 101 x 101 ± 1mm	4000	2125	15W	142	130°
103010 Casey/120IP65/5000/15W/80	1282 x 101 x 101 ± 1mm	5000	2185	15W	146	130°
103011 Casey/120IP65/6500/15W/80	1282 x 101 x 101 ± 1mm	6500	2125	15W	142	130°
103108 Casey/120IP65/3000/25W/80	1282 x 101 x 101 ± 1mm	3000	3480	25W	140	130°
103109 Casey/120IP65/4000/25W/80	1282 x 101 x 101 ± 1mm	4000	3625	25W	145	130°
103110 Casey/120IP65/5000/25W/80	1282 x 101 x 101 ± 1mm	5000	3725	25W	149	130°
103111 Casey/120IP65/6500/25W/80	1282 x 101 x 101 ± 1mm	6500	3625	25W	145	130°
103012 Casey/120IP65/3000/32W/80	1282 x 101 x 101 ± 1mm	3000	4460	32W	140	130°
103013 Casey/120IP65/4000/32W/80	1282 x 101 x 101 ± 1mm	4000	4650	32W	146	130°
103014 Casey/120IP65/5000/32W/80	1282 x 101 x 101 ± 1mm	5000	4775	32W	150	130°
103015 Casey/120IP65/6500/32W/80	1282 x 101 x 101 ± 1mm	6500	4650	32W	146	130°
103016 Casey/120IP65/3000/38W/80	1282 x 101 x 101 ± 1mm	3000	5115	38W	135	130°
103017 Casey/120IP65/4000/38W/80	1282 x 101 x 101 ± 1mm	4000	5335	38W	141	130°
103018 Casey/120IP65/5000/38W/80	1282 x 101 x 101 ± 1mm	5000	5475	38W	145	130°
103019 Casey/120IP65/6500/38W/80	1282 x 101 x 101 ± 1mm	6500	5335	38W	141	130°
103268 Casey/120IP65/3000/50W/80	1282 x 101 x 101 ± 1mm	3000	6335	50W	127	130°
103269 Casey/120IP65/4000/50W/80	1282 x 101 x 101 ± 1mm	4000	6605	50W	133	130°
103270 Casey/120IP65/5000/50W/80	1282 x 101 x 101 ± 1mm	5000	6785	50W	136	130°
103271 Casey/120IP65/6500/50W/80	1282 x 101 x 101 ± 1mm	6500	6605	50W	133	130°
103020 Casey/150IP65/3000/23W/80	1578 x 101 x 101 ± 1mm	3000	3180	23W	139	130°
103021 Casey/150IP65/4000/23W/80	1578 x 101 x 101 ± 1mm	4000	3315	23W	145	130°
103022 Casey/150IP65/5000/23W/80	1578 x 101 x 101 ± 1mm	5000	3405	23W	149	130°
103023 Casey/150IP65/6500/23W/80	1578 x 101 x 101 ± 1mm	6500	3315	23W	145	130°
103112 Casey/150IP65/3000/33W/80	1578 x 101 x 101 ± 1mm	3000	4615	33W	140	130°
103113 Casey/150IP65/4000/33W/80	1578 x 101 x 101 ± 1mm	4000	4810	33W	146	130°
103114 Casey/150IP65/5000/33W/80	1578 x 101 x 101 ± 1mm	5000	4940	33W	150	130°
103115 Casey/150IP65/6500/33W/80	1578 x 101 x 101 ± 1mm	6500	4810	33W	146	130°
103024 Casey/150IP65/3000/37W/80	1578 x 101 x 101 ± 1mm	3000	5470	37W	148	130°
103025 Casey/150IP65/4000/37W/80	1578 x 101 x 101 ± 1mm	4000	5705	37W	155	130°
103026 Casey/150IP65/5000/37W/80	1578 x 101 x 101 ± 1mm	5000	5855	37W	159	130°
103027 Casey/150IP65/6500/37W/80	1578 x 101 x 101 ± 1mm	6500	5705	37W	155	130°
103028 Casey/150IP65/3000/50W/80	1578 x 101 x 101 ± 1mm	3000	6730	50W	135	130°
103029 Casey/150IP65/4000/50W/80	1578 x 101 x 101 ± 1mm	4000	7010	50W	141	130°
103030 Casey/150IP65/5000/50W/80	1578 x 101 x 101 ± 1mm	5000	7200	50W	144	130°
103031 Casey/150IP65/6500/50W/80	1578 x 101 x 101 ± 1mm	6500	7010	50W	141	130°
103032 Casey/150IP65/3000/60W/80	1578 x 101 x 101 ± 1mm	3000	7705	60W	129	130°
103033 Casey/150IP65/4000/60W/80	1578 x 101 x 101 ± 1mm	4000	8030	60W	134	130°

SKU SPECIFICATIONS

Product Code	Dimensions (mm)	CCT (K)	Lumens (lm)	Power (W)	Eff. (lm/watt)	Lens Angle (°)
CRI 80						
103034 Casey/150IP65/5000/60W/80	1578 x 101 x 101 ± 1mm	5000	8245	60W	138	130°
103035 Casey/150IP65/6500/60W/80	1578 x 101 x 101 ± 1mm	6500	8030	60W	134	130°
103036 Casey 60IP65/3000/8W/80/DSPC	665 x 101 x 101 ± 1mm	3000	960	8W	120	130°
103037 Casey 60IP65/4000/8W/80/DSPC	665 x 101 x 101 ± 1mm	4000	1005	8W	126	130°
103038 Casey 60IP65/5000/8W/80/DSPC	665 x 101 x 101 ± 1mm	5000	1030	8W	129	130°
103039 Casey 60IP65/6500/8W/80/DSPC	665 x 101 x 101 ± 1mm	6500	1005	8W	126	130°
103040 Casey 60IP65/3000/15W/80/DSPC	665 x 101 x 101 ± 1mm	3000	1775	15W	119	130°
103041 Casey 60IP65/4000/15W/80/DSPC	665 x 101 x 101 ± 1mm	4000	1850	15W	124	130°
103042 Casey 60IP65/5000/15W/80/DSPC	665 x 101 x 101 ± 1mm	5000	1900	15W	127	130°
103043 Casey 60IP65/6500/15W/80/DSPC	665 x 101 x 101 ± 1mm	6500	1850	15W	124	130°
103392 Casey 60IP65/3000/24W/80/DSPC	665 x 101 x 101 ± 1mm	3000	2935	24W	123	130°
103393 Casey 60IP65/4000/24W/80/DSPC	665 x 101 x 101 ± 1mm	4000	3060	24W	128	130°
103394 Casey 60IP65/5000/24W/80/DSPC	665 x 101 x 101 ± 1mm	5000	3145	24W	132	130°
103395 Casey 60IP65/6500/24W/80/DSPC	665 x 101 x 101 ± 1mm	6500	3060	24W	128	130°
103044 Casey 120IP65/3000/15W/80/DSPC	1282 x 101 x 101 ± 1mm	3000	2040	15W	136	130°
103045 Casey 120IP65/4000/15W/80/DSPC	1282 x 101 x 101 ± 1mm	4000	2125	15W	142	130°
103046 Casey 120IP65/5000/15W/80/DSPC	1282 x 101 x 101 ± 1mm	5000	2185	15W	146	130°
103047 Casey 120IP65/6500/15W/80/DSPC	1282 x 101 x 101 ± 1mm	6500	2125	15W	142	130°
103116 Casey 120IP65/3000/25W/80/DSPC	1282 x 101 x 101 ± 1mm	3000	3480	25W	140	130°
103117 Casey 120IP65/4000/25W/80/DSPC	1282 x 101 x 101 ± 1mm	4000	3625	25W	145	130°
103118 Casey 120IP65/5000/25W/80/DSPC	1282 x 101 x 101 ± 1mm	5000	3725	25W	149	130°
103119 Casey 120IP65/6500/25W/80/DSPC	1282 x 101 x 101 ± 1mm	6500	3625	25W	145	130°
103048 Casey 120IP65/3000/32W/80/DSPC	1282 x 101 x 101 ± 1mm	3000	4460	32W	140	130°
103049 Casey 120IP65/4000/32W/80/DSPC	1282 x 101 x 101 ± 1mm	4000	4650	32W	146	130°
103050 Casey 120IP65/5000/32W/80/DSPC	1282 x 101 x 101 ± 1mm	5000	4775	32W	150	130°
103051 Casey 120IP65/6500/32W/80/DSPC	1282 x 101 x 101 ± 1mm	6500	4650	32W	146	130°
103052 Casey 120IP65/3000/38W/80/DSPC	1282 x 101 x 101 ± 1mm	3000	5115	38W	135	130°
103053 Casey 120IP65/4000/38W/80/DSPC	1282 x 101 x 101 ± 1mm	4000	5335	38W	141	130°
103054 Casey 120IP65/5000/38W/80/DSPC	1282 x 101 x 101 ± 1mm	5000	5475	38W	145	130°
103055 Casey 120IP65/6500/38W/80/DSPC	1282 x 101 x 101 ± 1mm	6500	5335	38W	141	130°
103272 Casey 120IP65/3000/50W/80/DSPC	1282 x 101 x 101 ± 1mm	3000	6335	50W	127	130°
103273 Casey 120IP65/4000/50W/80/DSPC	1282 x 101 x 101 ± 1mm	4000	6605	50W	133	130°
103274 Casey 120IP65/5000/50W/80/DSPC	1282 x 101 x 101 ± 1mm	5000	6785	50W	136	130°
103275 Casey 120IP65/6500/50W/80/DSPC	1282 x 101 x 101 ± 1mm	6500	6605	50W	133	130°
103056 Casey 150IP65/3000/23W/80/DSPC	1578 x 101 x 101 ± 1mm	3000	3180	23W	139	130°
103057 Casey 150IP65/4000/23W/80/DSPC	1578 x 101 x 101 ± 1mm	4000	3315	23W	145	130°
103058 Casey 150IP65/5000/23W/80/DSPC	1578 x 101 x 101 ± 1mm	5000	3405	23W	149	130°
103059 Casey 150IP65/6500/23W/80/DSPC	1578 x 101 x 101 ± 1mm	6500	3315	23W	145	130°
103120 Casey 150IP65/3000/33W/80/DSPC	1578 x 101 x 101 ± 1mm	3000	4615	33W	140	130°
103121 Casey 150IP65/4000/33W/80/DSPC	1578 x 101 x 101 ± 1mm	4000	4810	33W	146	130°
103122 Casey 150IP65/5000/33W/80/DSPC	1578 x 101 x 101 ± 1mm	5000	4940	33W	150	130°
103123 Casey 150IP65/6500/33W/80/DSPC	1578 x 101 x 101 ± 1mm	6500	4810	33W	146	130°
103060 Casey 150IP65/3000/37W/80/DSPC	1578 x 101 x 101 ± 1mm	3000	5470	37W	148	130°
103061 Casey 150IP65/4000/37W/80/DSPC	1578 x 101 x 101 ± 1mm	4000	5705	37W	155	130°
103062 Casey 150IP65/5000/37W/80/DSPC	1578 x 101 x 101 ± 1mm	5000	5855	37W	159	130°
103063 Casey 150IP65/6500/37W/80/DSPC	1578 x 101 x 101 ± 1mm	6500	5705	37W	155	130°
103064 Casey 150IP65/3000/50W/80/DSPC	1578 x 101 x 101 ± 1mm	3000	6730	50W	135	130°
103065 Casey 150IP65/4000/50W/80/DSPC	1578 x 101 x 101 ± 1mm	4000	7010	50W	141	130°
103066 Casey 150IP65/5000/50W/80/DSPC	1578 x 101 x 101 ± 1mm	5000	7200	50W	144	130°
103067 Casey 150IP65/6500/50W/80/DSPC	1578 x 101 x 101 ± 1mm	6500	7010	50W	141	130°

SKU SPECIFICATIONS

Product Code	Dimensions (mm)	CCT (K)	Lumens (lm)	Power (W)	Eff. (lm/watt)	Lens Angle (°)
CRI 80						
103068 Casey 150IP65/3000/60W/80/DSPC	1578 x 101 x 101 ± 1mm	3000	7705	60W	129	130°
103069 Casey 150IP65/4000/60W/80/DSPC	1578 x 101 x 101 ± 1mm	4000	8030	60W	134	130°
103070 Casey 150IP65/5000/60W/80/DSPC	1578 x 101 x 101 ± 1mm	5000	8245	60W	138	130°
103071 Casey 150IP65/6500/60W/80/DSPC	1578 x 101 x 101 ± 1mm	6500	8030	60W	134	130°