



Sedona

RECESSED DOWNLIGHTS | NON-DALI SERIES

Round recessed LED downlight for general lighting and accent lighting with perfect glare control. Highly reflective aluminum finish for zero iridescence. Best for applications such as offices, showrooms, commercial areas, hospitals, hotels, airports. Housing available in three colors - signal white, jet black, white aluminum, easy to complement any type of ceiling.

Sedona recessed downlight comes in several series, with various add-on and controls:

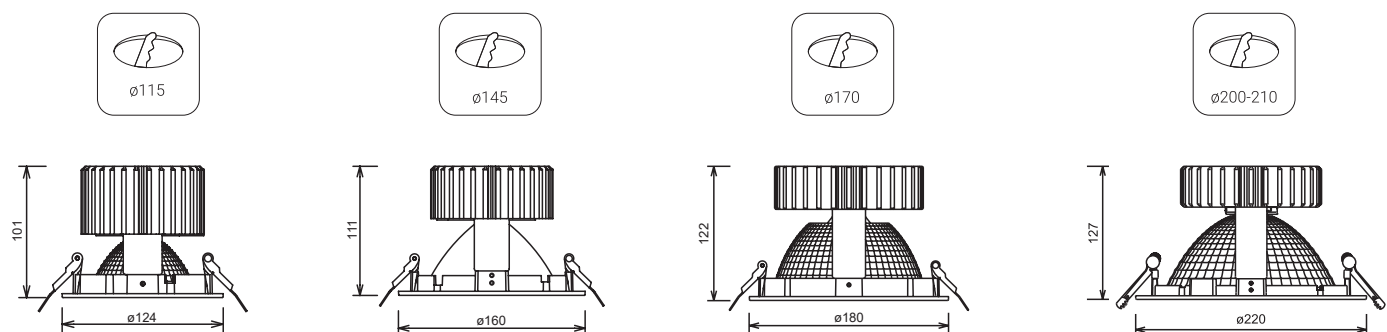
- Sedona Non-DALI – the standard for a large number of spaces – offices, showrooms, restaurants
- Sedona Non-DALI EM - with emergency lighting kit
- Sedona DALI – with DALI controls for illumination adjustments
- Sedona DALI EM – series with emergency lighting kit and dimming

FEATURES & BENEFITS

- CRI \geq 80 standard, but higher is available
- Very long service life: 50,000 h at 90% luminous flux
- High efficiency of 117 lm/watt
- 4 types of lens angle
- Dimmable (only for DALI and DALI EM Series)

APPLICATION

Grocery & Supermarkets | Retail | Office | Healthcare | Hospitality | DIY



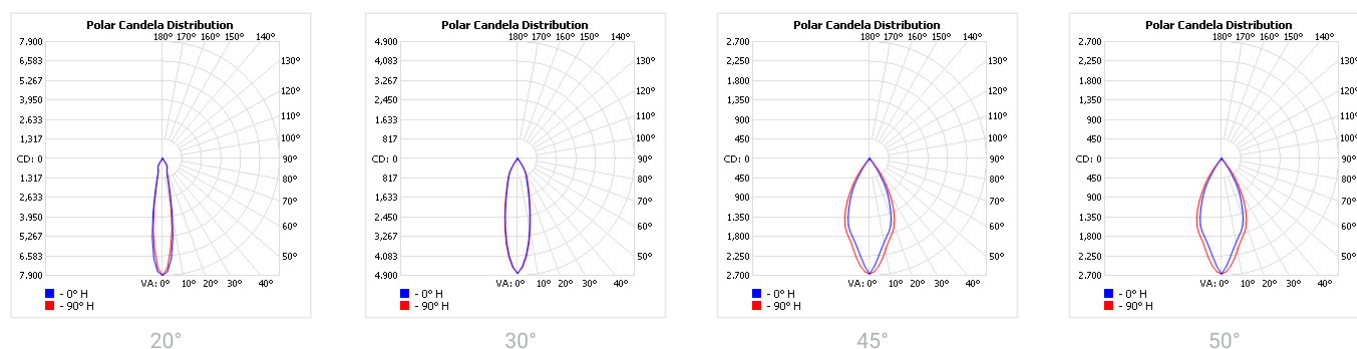
SPECIFICATIONS

Power consumption	12W, 14W, 17W, 20W, 23W, 27W, 29W, 34W, 35W, 42W
Dimensions	D124xH101xØ115±1mm D160xH111xØ145±1mm D180xH122xØ170±1mm D220xH127xØ200-210±1mm
Weight	0.9 - 1 Kg
Housing materials	Aluminium, glass
IK code	IK02
THD (at 230V, 50Hz, Full load)	<20%
Protection class	Safety class 1
Operating temperature [°C]	-20°C ... +45°C / -4F ... +113F
Operating humidity [%]	10 ÷ 85
Power factor	≥0.95
AC Input [Vac]	220 - 240 VAC
Lens angle [°]	20°, 30°, 45°, 50°
Lifespan [h]	50,000
Housing color	○ RAL 9003 - Signal White, ● RAL 9005 - Jet Black, ● RAL 9006 - White Aluminium
Lumen maintenance	L90/B10@50,000h at 25°C
IP factor	IP20
Control optional	-
Warranty [years]	5
Storage temperature range [°C]	-20°C ... +55°C / -4F ... +131F
Emergency option	-

#	Standard	Food	Fashion	AGI	ART	AMB
CRI	CRI80	CRI80	CRI95	CRI93	CRI98	CRI80
CCT [K]	2700 / 3000 / 3500 / 4000	BVF / FBS / FZM / FSM / FSH	FAS	AGI 3000 / 3500 / 4000	3000	2200
MacAdam	3	3 / 4 / 4 / 3 / 3	3	3	2	3

CRI - Color rendering, CCT - Color temperature, MacAdam - Color consistency

LIGHT DISTRIBUTION



TOLERANCES

Luminous flux tolerances: -/+ 5%

Consumption tolerance: -/+ 5% for Non-DALI | -/+ 10% for Non-DALI & KIT EM | -/+ 10% for DALI | -/+ 15% for DALI & KIT EM

BATTERY WARRANTY

Non-DALI EM & DALI EM: 12 months warranty

Non-DALI & DALI: -

MAXIMUM NO. OF LUMINAIRES ON A CIRCUIT

Luminaire Power(W)	Control type	Circuit Breaker Type					
		B			C		
		20	16	10	20	16	10
8-20W	Non-DALI	62	50	31	104	85	52
23-35W	Non-DALI	24	20	10	47	40	20
42W	Non-DALI	20	16	8	38	32	16
8-20W	DALI	62	50	31	104	85	52
23-27W	DALI	25	21	13	50	42	26
34-42W	DALI	17	14	9	34	28	18

RISK GROUP

Standard (CRI80)	RG1
FOOD (BVF, FBS, FSM)	RG1
FOOD ≤35W (FZM, FSH)	RG1
FOOD >35W (FZM, FSH)	RG2
FAS	RG1
AMB2200	RG1
ART	RG1
AGI	RG1
CRI90	RG1
CRI95	RG1
ENT	RG1

RG1

The evaluation of photobiological safety is carried out according to the standard IEC 62471:2008 ("Photobiological safety of lamps and lamp systems"). Following the definition of the risk grouping system of the mentioned IEC standard, the LEDs mounted on this family fall into the class "Low Risk (RG1 – No photobiological hazard under normal behavioral limitations)". Under real circumstances (regarding exposure time, pupils, observation distance), it is assumed that there is no endangerment to the eye from these devices. As a matter of principle, however, it should be mentioned that intense light sources have a high secondary exposure potential due to their blinding effect.

RG2

The evaluation of photobiological safety is carried out according to the standard IEC 62471:2008 ("Photobiological safety of lamps and lamp systems"). Following the definition of the risk grouping system of the mentioned IEC standard, the LEDs mounted on this family fall into the class "Moderate Risk (RG2)". Under real circumstances (regarding exposure time, pupils, observation distance), it is assumed that there is no endangerment to the eye from these devices. As a matter of principle, however, it should be mentioned that intense light sources have a high secondary exposure potential due to their blinding effect.

SKU SPECIFICATIONS

Product Code	Dimensions (mm)	CCT (K)	Lumens (lm)	Power (W)	Eff. (lm/watt)	Lens Angle (°)
CRI 80						
145496 Sedona D32020/2700/14W/80/A20	D124xH101mmxØ115mm±1mm	2700	1485	14W	107	20°
145497 Sedona D32020/3000/14W/80/A20	D124xH101mmxØ115mm±1mm	3000	1500	14W	108	20°
145498 Sedona D32020/3500/14W/80/A20	D124xH101mmxØ115mm±1mm	3500	1540	14W	110	20°
145499 Sedona D32020/4000/14W/80/A20	D124xH101mmxØ115mm±1mm	4000	1570	14W	113	20°
145501 Sedona D32020/2700/20W/80/A20	D124xH101mmxØ115mm±1mm	2700	2080	20W	104	20°
145502 Sedona D32020/3000/20W/80/A20	D124xH101mmxØ115mm±1mm	3000	2100	20W	105	20°
145503 Sedona D32020/3500/20W/80/A20	D124xH101mmxØ115mm±1mm	3500	2160	20W	108	20°
145504 Sedona D32020/4000/20W/80/A20	D124xH101mmxØ115mm±1mm	4000	2200	20W	110	20°
145506 Sedona D32020/2700/27W/80/A20	D124xH101mmxØ115mm±1mm	2700	2945	27W	110	20°
145507 Sedona D32020/3000/27W/80/A20	D124xH101mmxØ115mm±1mm	3000	2970	27W	110	20°
145508 Sedona D32020/3500/27W/80/A20	D124xH101mmxØ115mm±1mm	3500	3055	27W	114	20°
145509 Sedona D32020/4000/27W/80/A20	D124xH101mmxØ115mm±1mm	4000	3135	27W	117	20°
145511 Sedona D32020/2700/35W/80/A20	D124xH101mmxØ115mm±1mm	2700	3710	35W	106	20°
145512 Sedona D32020/3000/35W/80/A20	D124xH101mmxØ115mm±1mm	3000	3745	35W	107	20°
145513 Sedona D32020/3500/35W/80/A20	D124xH101mmxØ115mm±1mm	3500	3815	35W	109	20°
145514 Sedona D32020/4000/35W/80/A20	D124xH101mmxØ115mm±1mm	4000	3920	35W	112	20°
145516 Sedona D32020/2700/42W/80/A20	D124xH101mmxØ115mm±1mm	2700	4200	42W	100	20°
145517 Sedona D32020/3000/42W/80/A20	D124xH101mmxØ115mm±1mm	3000	4200	42W	100	20°
145518 Sedona D32020/3500/42W/80/A20	D124xH101mmxØ115mm±1mm	3500	4330	42W	103	20°
145519 Sedona D32020/4000/42W/80/A20	D124xH101mmxØ115mm±1mm	4000	4455	42W	106	20°
145521 Sedona D32020/2700/14W/80/A30	D124xH101mmxØ115mm±1mm	2700	1485	14W	107	30°
145522 Sedona D32020/3000/14W/80/A30	D124xH101mmxØ115mm±1mm	3000	1500	14W	108	30°
145523 Sedona D32020/3500/14W/80/A30	D124xH101mmxØ115mm±1mm	3500	1540	14W	110	30°
145524 Sedona D32020/4000/14W/80/A30	D124xH101mmxØ115mm±1mm	4000	1570	14W	113	30°
145526 Sedona D32020/2700/20W/80/A30	D124xH101mmxØ115mm±1mm	2700	2080	20W	104	30°
145527 Sedona D32020/3000/20W/80/A30	D124xH101mmxØ115mm±1mm	3000	2100	20W	105	30°
145528 Sedona D32020/3500/20W/80/A30	D124xH101mmxØ115mm±1mm	3500	2160	20W	108	30°
145529 Sedona D32020/4000/20W/80/A30	D124xH101mmxØ115mm±1mm	4000	2200	20W	110	30°
145531 Sedona D32020/2700/27W/80/A30	D124xH101mmxØ115mm±1mm	2700	2945	27W	110	30°
145532 Sedona D32020/3000/27W/80/A30	D124xH101mmxØ115mm±1mm	3000	2970	27W	110	30°
145533 Sedona D32020/3500/27W/80/A30	D124xH101mmxØ115mm±1mm	3500	3055	27W	114	30°
145534 Sedona D32020/4000/27W/80/A30	D124xH101mmxØ115mm±1mm	4000	3135	27W	117	30°
145536 Sedona D32020/2700/35W/80/A30	D124xH101mmxØ115mm±1mm	2700	3710	35W	106	30°
145537 Sedona D32020/3000/35W/80/A30	D124xH101mmxØ115mm±1mm	3000	3745	35W	107	30°
145538 Sedona D32020/3500/35W/80/A30	D124xH101mmxØ115mm±1mm	3500	3815	35W	109	30°
145539 Sedona D32020/4000/35W/80/A30	D124xH101mmxØ115mm±1mm	4000	3920	35W	112	30°
145541 Sedona D32020/2700/42W/80/A30	D124xH101mmxØ115mm±1mm	2700	4200	42W	100	30°
145542 Sedona D32020/3000/42W/80/A30	D124xH101mmxØ115mm±1mm	3000	4200	42W	100	30°
145543 Sedona D32020/3500/42W/80/A30	D124xH101mmxØ115mm±1mm	3500	4330	42W	103	30°
145544 Sedona D32020/4000/42W/80/A30	D124xH101mmxØ115mm±1mm	4000	4455	42W	106	30°
145000 Sedona D32020/2700/14W/80/A50	D124xH101mmxØ115mm±1mm	2700	1485	14W	107	50°
145001 Sedona D32020/3000/14W/80/A50	D124xH101mmxØ115mm±1mm	3000	1500	14W	108	50°
145002 Sedona D32020/3500/14W/80/A50	D124xH101mmxØ115mm±1mm	3500	1540	14W	110	50°
145003 Sedona D32020/4000/14W/80/A50	D124xH101mmxØ115mm±1mm	4000	1570	14W	113	50°
145005 Sedona D32020/2700/20W/80/A50	D124xH101mmxØ115mm±1mm	2700	2080	20W	104	50°
145006 Sedona D32020/3000/20W/80/A50	D124xH101mmxØ115mm±1mm	3000	2100	20W	105	50°
145007 Sedona D32020/3500/20W/80/A50	D124xH101mmxØ115mm±1mm	3500	2160	20W	108	50°
145008 Sedona D32020/4000/20W/80/A50	D124xH101mmxØ115mm±1mm	4000	2200	20W	110	50°
145010 Sedona D32020/2700/27W/80/A50	D124xH101mmxØ115mm±1mm	2700	2945	27W	110	50°
145011 Sedona D32020/3000/27W/80/A50	D124xH101mmxØ115mm±1mm	3000	2970	27W	110	50°
145012 Sedona D32020/3500/27W/80/A50	D124xH101mmxØ115mm±1mm	3500	3055	27W	114	50°
145013 Sedona D32020/4000/27W/80/A50	D124xH101mmxØ115mm±1mm	4000	3135	27W	117	50°

SKU SPECIFICATIONS

Product Code	Dimensions (mm)	CCT (K)	Lumens (lm)	Power (W)	Eff. (lm/watt)	Lens Angle (°)
CRI 80						
145015 Sedona D32020/2700/35W/80/A50	D124xH101mmxØ115mm±1mm	2700	3710	35W	106	50°
145016 Sedona D32020/3000/35W/80/A50	D124xH101mmxØ115mm±1mm	3000	3745	35W	107	50°
145017 Sedona D32020/3500/35W/80/A50	D124xH101mmxØ115mm±1mm	3500	3815	35W	109	50°
145018 Sedona D32020/4000/35W/80/A50	D124xH101mmxØ115mm±1mm	4000	3920	35W	112	50°
145020 Sedona D32020/2700/42W/80/A50	D124xH101mmxØ115mm±1mm	2700	4200	42W	100	50°
145021 Sedona D32020/3000/42W/80/A50	D124xH101mmxØ115mm±1mm	3000	4200	42W	100	50°
145022 Sedona D32020/3500/42W/80/A50	D124xH101mmxØ115mm±1mm	3500	4330	42W	103	50°
145023 Sedona D32020/4000/42W/80/A50	D124xH101mmxØ115mm±1mm	4000	4455	42W	106	50°
145025 Sedona D32023/2700/14W/80/A50	D160xH111mmxØ145mm±1mm	2700	1485	14W	107	50°
145026 Sedona D32023/3000/14W/80/A50	D160xH111mmxØ145mm±1mm	3000	1500	14W	108	50°
145027 Sedona D32023/3500/14W/80/A50	D160xH111mmxØ145mm±1mm	3500	1540	14W	110	50°
145028 Sedona D32023/4000/14W/80/A50	D160xH111mmxØ145mm±1mm	4000	1570	14W	113	50°
145030 Sedona D32023/2700/20W/80/A50	D160xH111mmxØ145mm±1mm	2700	2080	20W	104	50°
145031 Sedona D32023/3000/20W/80/A50	D160xH111mmxØ145mm±1mm	3000	2100	20W	105	50°
145032 Sedona D32023/3500/20W/80/A50	D160xH111mmxØ145mm±1mm	3500	2160	20W	108	50°
145033 Sedona D32023/4000/20W/80/A50	D160xH111mmxØ145mm±1mm	4000	2200	20W	110	50°
145035 Sedona D32023/2700/27W/80/A50	D160xH111mmxØ145mm±1mm	2700	2945	27W	110	50°
145036 Sedona D32023/3000/27W/80/A50	D160xH111mmxØ145mm±1mm	3000	2970	27W	110	50°
145037 Sedona D32023/3500/27W/80/A50	D160xH111mmxØ145mm±1mm	3500	3055	27W	114	50°
145038 Sedona D32023/4000/27W/80/A50	D160xH111mmxØ145mm±1mm	4000	3135	27W	117	50°
145040 Sedona D32023/2700/35W/80/A50	D160xH111mmxØ145mm±1mm	2700	3710	35W	106	50°
145041 Sedona D32023/3000/35W/80/A50	D160xH111mmxØ145mm±1mm	3000	3745	35W	107	50°
145042 Sedona D32023/3500/35W/80/A50	D160xH111mmxØ145mm±1mm	3500	3815	35W	109	50°
145043 Sedona D32023/4000/35W/80/A50	D160xH111mmxØ145mm±1mm	4000	3920	35W	112	50°
145045 Sedona D32023/2700/42W/80/A50	D160xH111mmxØ145mm±1mm	2700	4200	42W	100	50°
145046 Sedona D32023/3000/42W/80/A50	D160xH111mmxØ145mm±1mm	3000	4200	42W	100	50°
145047 Sedona D32023/3500/42W/80/A50	D160xH111mmxØ145mm±1mm	3500	4330	42W	103	50°
145048 Sedona D32023/4000/42W/80/A50	D160xH111mmxØ145mm±1mm	4000	4455	42W	106	50°
145050 Sedona D32024/2700/14W/80/A45	D180xH122mmxØ170mm±1mm	2700	1485	14W	107	45°
145051 Sedona D32024/3000/14W/80/A45	D180xH122mmxØ170mm±1mm	3000	1500	14W	108	45°
145052 Sedona D32024/3500/14W/80/A45	D180xH122mmxØ170mm±1mm	3500	1540	14W	110	45°
145053 Sedona D32024/4000/14W/80/A45	D180xH122mmxØ170mm±1mm	4000	1570	14W	113	45°
145055 Sedona D32024/2700/20W/80/A45	D180xH122mmxØ170mm±1mm	2700	2080	20W	104	45°
145056 Sedona D32024/3000/20W/80/A45	D180xH122mmxØ170mm±1mm	3000	2100	20W	105	45°
145057 Sedona D32024/3500/20W/80/A45	D180xH122mmxØ170mm±1mm	3500	2160	20W	108	45°
145058 Sedona D32024/4000/20W/80/A45	D180xH122mmxØ170mm±1mm	4000	2200	20W	110	45°
145060 Sedona D32024/2700/27W/80/A45	D180xH122mmxØ170mm±1mm	2700	2945	27W	110	45°
145061 Sedona D32024/3000/27W/80/A45	D180xH122mmxØ170mm±1mm	3000	2970	27W	110	45°
145062 Sedona D32024/3500/27W/80/A45	D180xH122mmxØ170mm±1mm	3500	3055	27W	114	45°
145063 Sedona D32024/4000/27W/80/A45	D180xH122mmxØ170mm±1mm	4000	3135	27W	117	45°
145065 Sedona D32024/2700/35W/80/A45	D180xH122mmxØ170mm±1mm	2700	3710	35W	106	45°
145066 Sedona D32024/3000/35W/80/A45	D180xH122mmxØ170mm±1mm	3000	3745	35W	107	45°
145067 Sedona D32024/3500/35W/80/A45	D180xH122mmxØ170mm±1mm	3500	3815	35W	109	45°
145068 Sedona D32024/4000/35W/80/A45	D180xH122mmxØ170mm±1mm	4000	3920	35W	112	45°
145070 Sedona D32024/2700/42W/80/A45	D180xH122mmxØ170mm±1mm	2700	4200	42W	100	45°
145071 Sedona D32024/3000/42W/80/A45	D180xH122mmxØ170mm±1mm	3000	4200	42W	100	45°
145072 Sedona D32024/3500/42W/80/A45	D180xH122mmxØ170mm±1mm	3500	4330	42W	103	45°
145073 Sedona D32024/4000/42W/80/A45	D180xH122mmxØ170mm±1mm	4000	4455	42W	106	45°
145075 Sedona D32025/2700/14W/80/A50	D220xH127mm x Ø200mm-210mm±1mm	2700	1485	14W	107	50°
145076 Sedona D32025/3000/14W/80/A50	D220xH127mm x Ø200mm-210mm±1mm	3000	1500	14W	108	50°
145077 Sedona D32025/3500/14W/80/A50	D220xH127mm x Ø200mm-210mm±1mm	3500	1540	14W	110	50°
145078 Sedona D32025/4000/14W/80/A50	D220xH127mm x Ø200mm-210mm±1mm	4000	1570	14W	113	50°

SKU SPECIFICATIONS

Product Code	Dimensions (mm)	CCT (K)	Lumens (lm)	Power (W)	Eff. (lm/watt)	Lens Angle (°)
CRI 80						
145080 Sedona D32025/2700/20W/80/A50	D220xH127mm x Ø200mm-210mm±1mm	2700	2080	20W	104	50°
145081 Sedona D32025/3000/20W/80/A50	D220xH127mm x Ø200mm-210mm±1mm	3000	2100	20W	105	50°
145082 Sedona D32025/3500/20W/80/A50	D220xH127mm x Ø200mm-210mm±1mm	3500	2160	20W	108	50°
145083 Sedona D32025/4000/20W/80/A50	D220xH127mm x Ø200mm-210mm±1mm	4000	2200	20W	110	50°
145085 Sedona D32025/2700/27W/80/A50	D220xH127mm x Ø200mm-210mm±1mm	2700	2945	27W	110	50°
145086 Sedona D32025/3000/27W/80/A50	D220xH127mm x Ø200mm-210mm±1mm	3000	2970	27W	110	50°
145087 Sedona D32025/3500/27W/80/A50	D220xH127mm x Ø200mm-210mm±1mm	3500	3055	27W	114	50°
145088 Sedona D32025/4000/27W/80/A50	D220xH127mm x Ø200mm-210mm±1mm	4000	3135	27W	117	50°
145090 Sedona D32025/2700/35W/80/A50	D220xH127mm x Ø200mm-210mm±1mm	2700	3710	35W	106	50°
145091 Sedona D32025/3000/35W/80/A50	D220xH127mm x Ø200mm-210mm±1mm	3000	3745	35W	107	50°
145092 Sedona D32025/3500/35W/80/A50	D220xH127mm x Ø200mm-210mm±1mm	3500	3815	35W	109	50°
145093 Sedona D32025/4000/35W/80/A50	D220xH127mm x Ø200mm-210mm±1mm	4000	3920	35W	112	50°
145095 Sedona D32025/2700/42W/80/A50	D220xH127mm x Ø200mm-210mm±1mm	2700	4200	42W	100	50°
145096 Sedona D32025/3000/42W/80/A50	D220xH127mm x Ø200mm-210mm±1mm	3000	4200	42W	100	50°
145097 Sedona D32025/3500/42W/80/A50	D220xH127mm x Ø200mm-210mm±1mm	3500	4330	42W	103	50°
145098 Sedona D32025/4000/42W/80/A50	D220xH127mm x Ø200mm-210mm±1mm	4000	4455	42W	106	50°
145546 Sedona D32020/BVF/14W/80/A20	D124xH101mmxØ115mm±1mm	BVF	1080	14W	77	20°
145547 Sedona D32020/FBS/14W/80/A20	D124xH101mmxØ115mm±1mm	FBS	855	14W	61	20°
145548 Sedona D32020/FZM/14W/80/A20	D124xH101mmxØ115mm±1mm	FZM	800	14W	57	20°
145549 Sedona D32020/FSM/14W/80/A20	D124xH101mmxØ115mm±1mm	FSM	800	14W	57	20°
145550 Sedona D32020/FSH/14W/80/A20	D124xH101mmxØ115mm±1mm	FSH	1180	14W	84	20°
145551 Sedona D32020/BVF/20W/80/A20	D124xH101mmxØ115mm±1mm	BVF	1540	20W	77	20°
145552 Sedona D32020/FBS/20W/80/A20	D124xH101mmxØ115mm±1mm	FBS	1220	20W	61	20°
145553 Sedona D32020/FZM/20W/80/A20	D124xH101mmxØ115mm±1mm	FZM	1140	20W	57	20°
145554 Sedona D32020/FSM/20W/80/A20	D124xH101mmxØ115mm±1mm	FSM	1140	20W	57	20°
145555 Sedona D32020/FSH/20W/80/A20	D124xH101mmxØ115mm±1mm	FSH	1680	20W	84	20°
145556 Sedona D32020/BVF/27W/80/A20	D124xH101mmxØ115mm±1mm	BVF	2065	27W	77	20°
145557 Sedona D32020/FBS/27W/80/A20	D124xH101mmxØ115mm±1mm	FBS	1635	27W	61	20°
145558 Sedona D32020/FZM/27W/80/A20	D124xH101mmxØ115mm±1mm	FZM	1530	27W	57	20°
145559 Sedona D32020/FSM/27W/80/A20	D124xH101mmxØ115mm±1mm	FSM	1530	27W	57	20°
145560 Sedona D32020/FSH/27W/80/A20	D124xH101mmxØ115mm±1mm	FSH	2250	27W	84	20°
145561 Sedona D32020/BVF/35W/80/A20	D124xH101mmxØ115mm±1mm	BVF	2590	35W	74	20°
145562 Sedona D32020/FBS/35W/80/A20	D124xH101mmxØ115mm±1mm	FBS	2115	35W	61	20°
145563 Sedona D32020/FZM/35W/80/A20	D124xH101mmxØ115mm±1mm	FZM	1980	35W	57	20°
145564 Sedona D32020/FSM/35W/80/A20	D124xH101mmxØ115mm±1mm	FSM	1980	35W	57	20°
145565 Sedona D32020/FSH/35W/80/A20	D124xH101mmxØ115mm±1mm	FSH	2755	35W	79	20°
145566 Sedona D32020/BVF/42W/80/A20	D124xH101mmxØ115mm±1mm	BVF	2870	42W	69	20°
145567 Sedona D32020/FBS/42W/80/A20	D124xH101mmxØ115mm±1mm	FBS	2450	42W	59	20°
145568 Sedona D32020/FZM/42W/80/A20	D124xH101mmxØ115mm±1mm	FZM	2325	42W	56	20°
145569 Sedona D32020/FSM/42W/80/A20	D124xH101mmxØ115mm±1mm	FSM	2325	42W	56	20°
145570 Sedona D32020/FSH/42W/80/A20	D124xH101mmxØ115mm±1mm	FSH	3155	42W	76	20°
145571 Sedona D32020/BVF/14W/80/A30	D124xH101mmxØ115mm±1mm	BVF	1080	14W	77	30°
145572 Sedona D32020/FBS/14W/80/A30	D124xH101mmxØ115mm±1mm	FBS	855	14W	61	30°
145573 Sedona D32020/FZM/14W/80/A30	D124xH101mmxØ115mm±1mm	FZM	800	14W	57	30°
145574 Sedona D32020/FSM/14W/80/A30	D124xH101mmxØ115mm±1mm	FSM	800	14W	57	30°
145575 Sedona D32020/FSH/14W/80/A30	D124xH101mmxØ115mm±1mm	FSH	1180	14W	84	30°
145576 Sedona D32020/BVF/20W/80/A30	D124xH101mmxØ115mm±1mm	BVF	1540	20W	77	30°
145577 Sedona D32020/FBS/20W/80/A30	D124xH101mmxØ115mm±1mm	FBS	1220	20W	61	30°
145578 Sedona D32020/FZM/20W/80/A30	D124xH101mmxØ115mm±1mm	FZM	1140	20W	57	30°
145579 Sedona D32020/FSM/20W/80/A30	D124xH101mmxØ115mm±1mm	FSM	1140	20W	57	30°
145580 Sedona D32020/FSH/20W/80/A30	D124xH101mmxØ115mm±1mm	FSH	1680	20W	84	30°
145581 Sedona D32020/BVF/27W/80/A30	D124xH101mmxØ115mm±1mm	BVF	2065	27W	77	30°

SKU SPECIFICATIONS

Product Code	Dimensions (mm)	CCT (K)	Lumens (lm)	Power (W)	Eff. (lm/watt)	Lens Angle (°)
CRI 80						
145582 Sedona D32020/FBS/27W/80/A30	D124xH101mmxØ115mm±1mm	FBS	1635	27W	61	30°
145583 Sedona D32020/FZM/27W/80/A30	D124xH101mmxØ115mm±1mm	FZM	1530	27W	57	30°
145584 Sedona D32020/FSM/27W/80/A30	D124xH101mmxØ115mm±1mm	FSM	1530	27W	57	30°
145585 Sedona D32020/FSH/27W/80/A30	D124xH101mmxØ115mm±1mm	FSH	2250	27W	84	30°
145586 Sedona D32020/BVF/35W/80/A30	D124xH101mmxØ115mm±1mm	BVF	2590	35W	74	30°
145587 Sedona D32020/FBS/35W/80/A30	D124xH101mmxØ115mm±1mm	FBS	2115	35W	61	30°
145588 Sedona D32020/FZM/35W/80/A30	D124xH101mmxØ115mm±1mm	FZM	1980	35W	57	30°
145589 Sedona D32020/FSM/35W/80/A30	D124xH101mmxØ115mm±1mm	FSM	1980	35W	57	30°
145590 Sedona D32020/FSH/35W/80/A30	D124xH101mmxØ115mm±1mm	FSH	2755	35W	79	30°
145591 Sedona D32020/BVF/42W/80/A30	D124xH101mmxØ115mm±1mm	BVF	2870	42W	69	30°
145592 Sedona D32020/FBS/42W/80/A30	D124xH101mmxØ115mm±1mm	FBS	2450	42W	59	30°
145593 Sedona D32020/FZM/42W/80/A30	D124xH101mmxØ115mm±1mm	FZM	2325	42W	56	30°
145594 Sedona D32020/FSM/42W/80/A30	D124xH101mmxØ115mm±1mm	FSM	2325	42W	56	30°
145595 Sedona D32020/FSH/42W/80/A30	D124xH101mmxØ115mm±1mm	FSH	3155	42W	76	30°
145456 Sedona D32020/BVF/14W/80/A50	D124xH101mmxØ115mm±1mm	BVF	1080	14W	77	50°
145457 Sedona D32020/FBS/14W/80/A50	D124xH101mmxØ115mm±1mm	FBS	855	14W	61	50°
145458 Sedona D32020/FZM/14W/80/A50	D124xH101mmxØ115mm±1mm	FZM	800	14W	57	50°
145459 Sedona D32020/FSM/14W/80/A50	D124xH101mmxØ115mm±1mm	FSM	800	14W	57	50°
145460 Sedona D32020/FSH/14W/80/A50	D124xH101mmxØ115mm±1mm	FSH	1180	14W	84	50°
145461 Sedona D32020/BVF/20W/80/A50	D124xH101mmxØ115mm±1mm	BVF	1540	20W	77	50°
145462 Sedona D32020/FBS/20W/80/A50	D124xH101mmxØ115mm±1mm	FBS	1220	20W	61	50°
145463 Sedona D32020/FZM/20W/80/A50	D124xH101mmxØ115mm±1mm	FZM	1140	20W	57	50°
145464 Sedona D32020/FSM/20W/80/A50	D124xH101mmxØ115mm±1mm	FSM	1140	20W	57	50°
145465 Sedona D32020/FSH/20W/80/A50	D124xH101mmxØ115mm±1mm	FSH	1680	20W	84	50°
145100 Sedona D32020/BVF/27W/80/A50	D124xH101mmxØ115mm±1mm	BVF	2065	27W	77	50°
145101 Sedona D32020/FBS/27W/80/A50	D124xH101mmxØ115mm±1mm	FBS	1635	27W	61	50°
145102 Sedona D32020/FZM/27W/80/A50	D124xH101mmxØ115mm±1mm	FZM	1530	27W	57	50°
145103 Sedona D32020/FSM/27W/80/A50	D124xH101mmxØ115mm±1mm	FSM	1530	27W	57	50°
145104 Sedona D32020/FSH/27W/80/A50	D124xH101mmxØ115mm±1mm	FSH	2250	27W	84	50°
145105 Sedona D32020/BVF/35W/80/A50	D124xH101mmxØ115mm±1mm	BVF	2590	35W	74	50°
145106 Sedona D32020/FBS/35W/80/A50	D124xH101mmxØ115mm±1mm	FBS	2115	35W	61	50°
145107 Sedona D32020/FZM/35W/80/A50	D124xH101mmxØ115mm±1mm	FZM	1980	35W	57	50°
145108 Sedona D32020/FSM/35W/80/A50	D124xH101mmxØ115mm±1mm	FSM	1980	35W	57	50°
145109 Sedona D32020/FSH/35W/80/A50	D124xH101mmxØ115mm±1mm	FSH	2755	35W	79	50°
145110 Sedona D32020/BVF/42W/80/A50	D124xH101mmxØ115mm±1mm	BVF	2870	42W	69	50°
145111 Sedona D32020/FBS/42W/80/A50	D124xH101mmxØ115mm±1mm	FBS	2450	42W	59	50°
145112 Sedona D32020/FZM/42W/80/A50	D124xH101mmxØ115mm±1mm	FZM	2325	42W	56	50°
145113 Sedona D32020/FSM/42W/80/A50	D124xH101mmxØ115mm±1mm	FSM	2325	42W	56	50°
145114 Sedona D32020/FSH/42W/80/A50	D124xH101mmxØ115mm±1mm	FSH	3155	42W	76	50°
145466 Sedona D32023/BVF/14W/80/A50	D160xH111mmxØ145mm±1mm	BVF	1080	14W	77	50°
145467 Sedona D32023/FBS/14W/80/A50	D160xH111mmxØ145mm±1mm	FBS	855	14W	61	50°
145468 Sedona D32023/FZM/14W/80/A50	D160xH111mmxØ145mm±1mm	FZM	800	14W	57	50°
145469 Sedona D32023/FSM/14W/80/A50	D160xH111mmxØ145mm±1mm	FSM	800	14W	57	50°
145470 Sedona D32023/FSH/14W/80/A50	D160xH111mmxØ145mm±1mm	FSH	1180	14W	84	50°
145471 Sedona D32023/BVF/20W/80/A50	D160xH111mmxØ145mm±1mm	BVF	1540	20W	77	50°
145472 Sedona D32023/FBS/20W/80/A50	D160xH111mmxØ145mm±1mm	FBS	1220	20W	61	50°
145473 Sedona D32023/FZM/20W/80/A50	D160xH111mmxØ145mm±1mm	FZM	1140	20W	57	50°
145474 Sedona D32023/FSM/20W/80/A50	D160xH111mmxØ145mm±1mm	FSM	1140	20W	57	50°
145475 Sedona D32023/FSH/20W/80/A50	D160xH111mmxØ145mm±1mm	FSH	1680	20W	84	50°
145115 Sedona D32023/BVF/27W/80/A50	D160xH111mmxØ145mm±1mm	BVF	2065	27W	77	50°
145116 Sedona D32023/FBS/27W/80/A50	D160xH111mmxØ145mm±1mm	FBS	1635	27W	61	50°
145117 Sedona D32023/FZM/27W/80/A50	D160xH111mmxØ145mm±1mm	FZM	1530	27W	57	50°

SKU SPECIFICATIONS

Product Code	Dimensions (mm)	CCT (K)	Lumens (lm)	Power (W)	Eff. (lm/watt)	Lens Angle (°)
CRI 80						
145118 Sedona D32023/FSM/27W/80/A50	D160xH111mmxØ145mm±1mm	FSM	1530	27W	57	50°
145119 Sedona D32023/FSH/27W/80/A50	D160xH111mmxØ145mm±1mm	FSH	2250	27W	84	50°
145120 Sedona D32023/BVF/35W/80/A50	D160xH111mmxØ145mm±1mm	BVF	2590	35W	74	50°
145121 Sedona D32023/FBS/35W/80/A50	D160xH111mmxØ145mm±1mm	FBS	2115	35W	61	50°
145122 Sedona D32023/FZM/35W/80/A50	D160xH111mmxØ145mm±1mm	FZM	1980	35W	57	50°
145123 Sedona D32023/FSM/35W/80/A50	D160xH111mmxØ145mm±1mm	FSM	1980	35W	57	50°
145124 Sedona D32023/FSH/35W/80/A50	D160xH111mmxØ145mm±1mm	FSH	2755	35W	79	50°
145125 Sedona D32023/BVF/42W/80/A50	D160xH111mmxØ145mm±1mm	BVF	2870	42W	69	50°
145126 Sedona D32023/FBS/42W/80/A50	D160xH111mmxØ145mm±1mm	FBS	2450	42W	59	50°
145127 Sedona D32023/FZM/42W/80/A50	D160xH111mmxØ145mm±1mm	FZM	2325	42W	56	50°
145128 Sedona D32023/FSM/42W/80/A50	D160xH111mmxØ145mm±1mm	FSM	2325	42W	56	50°
145129 Sedona D32023/FSH/42W/80/A50	D160xH111mmxØ145mm±1mm	FSH	3155	42W	76	50°
145476 Sedona D32024/BVF/14W/80/A45	D180xH122mmxØ170mm±1mm	BVF	1080	14W	77	45°
145477 Sedona D32024/FBS/14W/80/A45	D180xH122mmxØ170mm±1mm	FBS	855	14W	61	45°
145478 Sedona D32024/FZM/14W/80/A45	D180xH122mmxØ170mm±1mm	FZM	800	14W	57	45°
145479 Sedona D32024/FSM/14W/80/A45	D180xH122mmxØ170mm±1mm	FSM	800	14W	57	45°
145480 Sedona D32024/FSH/14W/80/A45	D180xH122mmxØ170mm±1mm	FSH	1180	14W	84	45°
145481 Sedona D32024/BVF/20W/80/A45	D180xH122mmxØ170mm±1mm	BVF	1540	20W	77	45°
145482 Sedona D32024/FBS/20W/80/A45	D180xH122mmxØ170mm±1mm	FBS	1220	20W	61	45°
145483 Sedona D32024/FZM/20W/80/A45	D180xH122mmxØ170mm±1mm	FZM	1140	20W	57	45°
145484 Sedona D32024/FSM/20W/80/A45	D180xH122mmxØ170mm±1mm	FSM	1140	20W	57	45°
145485 Sedona D32024/FSH/20W/80/A45	D180xH122mmxØ170mm±1mm	FSH	1680	20W	84	45°
145130 Sedona D32024/BVF/27W/80/A45	D180xH122mmxØ170mm±1mm	BVF	2065	27W	77	45°
145131 Sedona D32024/FBS/27W/80/A45	D180xH122mmxØ170mm±1mm	FBS	1635	27W	61	45°
145132 Sedona D32024/FZM/27W/80/A45	D180xH122mmxØ170mm±1mm	FZM	1530	27W	57	45°
145133 Sedona D32024/FSM/27W/80/A45	D180xH122mmxØ170mm±1mm	FSM	1530	27W	57	45°
145134 Sedona D32024/FSH/27W/80/A45	D180xH122mmxØ170mm±1mm	FSH	2250	27W	84	45°
145135 Sedona D32024/BVF/35W/80/A45	D180xH122mmxØ170mm±1mm	BVF	2590	35W	74	45°
145136 Sedona D32024/FBS/35W/80/A45	D180xH122mmxØ170mm±1mm	FBS	2115	35W	61	45°
145137 Sedona D32024/FZM/35W/80/A45	D180xH122mmxØ170mm±1mm	FZM	1980	35W	57	45°
145138 Sedona D32024/FSM/35W/80/A45	D180xH122mmxØ170mm±1mm	FSM	1980	35W	57	45°
145139 Sedona D32024/FSH/35W/80/A45	D180xH122mmxØ170mm±1mm	FSH	2755	35W	79	45°
145140 Sedona D32024/BVF/42W/80/A45	D180xH122mmxØ170mm±1mm	BVF	2870	42W	69	45°
145141 Sedona D32024/FBS/42W/80/A45	D180xH122mmxØ170mm±1mm	FBS	2450	42W	59	45°
145142 Sedona D32024/FZM/42W/80/A45	D180xH122mmxØ170mm±1mm	FZM	2325	42W	56	45°
145143 Sedona D32024/FSM/42W/80/A45	D180xH122mmxØ170mm±1mm	FSM	2325	42W	56	45°
145144 Sedona D32024/FSH/42W/80/A45	D180xH122mmxØ170mm±1mm	FSH	3155	42W	76	45°
145486 Sedona D32025/BVF/14W/80/A50	D220xH127mm x Ø200mm-210mm±1mm	BVF	1080	14W	77	50°
145487 Sedona D32025/FBS/14W/80/A50	D220xH127mm x Ø200mm-210mm±1mm	FBS	855	14W	61	50°
145488 Sedona D32025/FZM/14W/80/A50	D220xH127mm x Ø200mm-210mm±1mm	FZM	800	14W	57	50°
145489 Sedona D32025/FSM/14W/80/A50	D220xH127mm x Ø200mm-210mm±1mm	FSM	800	14W	57	50°
145490 Sedona D32025/FSH/14W/80/A50	D220xH127mm x Ø200mm-210mm±1mm	FSH	1180	14W	84	50°
145491 Sedona D32025/BVF/20W/80/A50	D220xH127mm x Ø200mm-210mm±1mm	BVF	1540	20W	77	50°
145492 Sedona D32025/FBS/20W/80/A50	D220xH127mm x Ø200mm-210mm±1mm	FBS	1220	20W	61	50°
145493 Sedona D32025/FZM/20W/80/A50	D220xH127mm x Ø200mm-210mm±1mm	FZM	1140	20W	57	50°
145494 Sedona D32025/FSM/20W/80/A50	D220xH127mm x Ø200mm-210mm±1mm	FSM	1140	20W	57	50°
145495 Sedona D32025/FSH/20W/80/A50	D220xH127mm x Ø200mm-210mm±1mm	FSH	1680	20W	84	50°
145145 Sedona D32025/BVF/27W/80/A50	D220xH127mm x Ø200mm-210mm±1mm	BVF	2065	27W	77	50°
145146 Sedona D32025/FBS/27W/80/A50	D220xH127mm x Ø200mm-210mm±1mm	FBS	1635	27W	61	50°
145147 Sedona D32025/FZM/27W/80/A50	D220xH127mm x Ø200mm-210mm±1mm	FZM	1530	27W	57	50°
145148 Sedona D32025/FSM/27W/80/A50	D220xH127mm x Ø200mm-210mm±1mm	FSM	1530	27W	57	50°
145149 Sedona D32025/FSH/27W/80/A50	D220xH127mm x Ø200mm-210mm±1mm	FSH	2250	27W	84	50°

SKU SPECIFICATIONS

Product Code	Dimensions (mm)	CCT (K)	Lumens (lm)	Power (W)	Eff. (lm/watt)	Lens Angle (°)
CRI 80						
145150 Sedona D32025/BVF/35W/80/A50	D220xH127mm x Ø200mm-210mm±1mm	BVF	2590	35W	74	50°
145151 Sedona D32025/FBS/35W/80/A50	D220xH127mm x Ø200mm-210mm±1mm	FBS	2115	35W	61	50°
145152 Sedona D32025/FZM/35W/80/A50	D220xH127mm x Ø200mm-210mm±1mm	FZM	1980	35W	57	50°
145153 Sedona D32025/FSM/35W/80/A50	D220xH127mm x Ø200mm-210mm±1mm	FSM	1980	35W	57	50°
145154 Sedona D32025/FSH/35W/80/A50	D220xH127mm x Ø200mm-210mm±1mm	FSH	2755	35W	79	50°
145155 Sedona D32025/BVF/42W/80/A50	D220xH127mm x Ø200mm-210mm±1mm	BVF	2870	42W	69	50°
145156 Sedona D32025/FBS/42W/80/A50	D220xH127mm x Ø200mm-210mm±1mm	FBS	2450	42W	59	50°
145157 Sedona D32025/FZM/42W/80/A50	D220xH127mm x Ø200mm-210mm±1mm	FZM	2325	42W	56	50°
145158 Sedona D32025/FSM/42W/80/A50	D220xH127mm x Ø200mm-210mm±1mm	FSM	2325	42W	56	50°
145159 Sedona D32025/FSH/42W/80/A50	D220xH127mm x Ø200mm-210mm±1mm	FSH	3155	42W	76	50°
145744 Sedona D32020/AMB2200/14W/80/A20	D124xH101mmxØ115mm±1mm	AMB2200	1020	14W	73	20°
145745 Sedona D32020/AMB2200/14W/80/A30	D124xH101mmxØ115mm±1mm	AMB2200	1020	14W	73	30°
145746 Sedona D32020/AMB2200/14W/80/A50	D124xH101mmxØ115mm±1mm	AMB2200	1020	14W	73	50°
145747 Sedona D32020/AMB2200/20W/80/A20	D124xH101mmxØ115mm±1mm	AMB2200	1410	20W	71	20°
145748 Sedona D32020/AMB2200/20W/80/A30	D124xH101mmxØ115mm±1mm	AMB2200	1410	20W	71	30°
145749 Sedona D32020/AMB2200/20W/80/A50	D124xH101mmxØ115mm±1mm	AMB2200	1410	20W	71	50°
145750 Sedona D32020/AMB2200/27W/80/A20	D124xH101mmxØ115mm±1mm	AMB2200	1870	27W	70	20°
145751 Sedona D32020/AMB2200/27W/80/A30	D124xH101mmxØ115mm±1mm	AMB2200	1870	27W	70	30°
145752 Sedona D32020/AMB2200/27W/80/A50	D124xH101mmxØ115mm±1mm	AMB2200	1870	27W	70	50°
145753 Sedona D32020/AMB2200/35W/80/A20	D124xH101mmxØ115mm±1mm	AMB2200	2585	35W	74	20°
145754 Sedona D32020/AMB2200/35W/80/A30	D124xH101mmxØ115mm±1mm	AMB2200	2585	35W	74	30°
145755 Sedona D32020/AMB2200/35W/80/A50	D124xH101mmxØ115mm±1mm	AMB2200	2585	35W	74	50°
145756 Sedona D32020/AMB2200/42W/80/A20	D124xH101mmxØ115mm±1mm	AMB2200	2930	42W	70	20°
145757 Sedona D32020/AMB2200/42W/80/A30	D124xH101mmxØ115mm±1mm	AMB2200	2930	42W	70	30°
145758 Sedona D32020/AMB2200/42W/80/A50	D124xH101mmxØ115mm±1mm	AMB2200	2930	42W	70	50°
145759 Sedona D32023/AMB2200/14W/80/A50	D160xH111mmxØ145mm±1mm	AMB2200	1020	14W	73	50°
145760 Sedona D32023/AMB2200/20W/80/A50	D160xH111mmxØ145mm±1mm	AMB2200	1410	20W	71	50°
145761 Sedona D32023/AMB2200/27W/80/A50	D160xH111mmxØ145mm±1mm	AMB2200	1870	27W	70	50°
145762 Sedona D32023/AMB2200/35W/80/A50	D160xH111mmxØ145mm±1mm	AMB2200	2585	35W	74	50°
145763 Sedona D32023/AMB2200/42W/80/A50	D160xH111mmxØ145mm±1mm	AMB2200	2930	42W	70	50°
145764 Sedona D32024/AMB2200/14W/80/A45	D180xH122mmxØ170mm±1mm	AMB2200	1020	14W	73	45°
145765 Sedona D32024/AMB2200/20W/80/A45	D180xH122mmxØ170mm±1mm	AMB2200	1410	20W	71	45°
145766 Sedona D32024/AMB2200/27W/80/A45	D180xH122mmxØ170mm±1mm	AMB2200	1870	27W	70	45°
145767 Sedona D32024/AMB2200/35W/80/A45	D180xH122mmxØ170mm±1mm	AMB2200	2585	35W	74	45°
145768 Sedona D32024/AMB2200/42W/80/A45	D180xH122mmxØ170mm±1mm	AMB2200	2930	42W	70	45°
145769 Sedona D32025/AMB2200/14W/80/A50	D220xH127mm x Ø200mm-210mm±1mm	AMB2200	1020	14W	73	50°
145770 Sedona D32025/AMB2200/20W/80/A50	D220xH127mm x Ø200mm-210mm±1mm	AMB2200	1410	20W	71	50°
145771 Sedona D32025/AMB2200/27W/80/A50	D220xH127mm x Ø200mm-210mm±1mm	AMB2200	1870	27W	70	50°
145772 Sedona D32025/AMB2200/35W/80/A50	D220xH127mm x Ø200mm-210mm±1mm	AMB2200	2585	35W	74	50°
145773 Sedona D32025/AMB2200/42W/80/A50	D220xH127mm x Ø200mm-210mm±1mm	AMB2200	2930	42W	70	50°
CRI 93						
145714 Sedona D32020/AGI3000/12W/93/A20	D124xH101mmxØ115mm±1mm	AGI3000	735	12W	62	20°
145715 Sedona D32020/AGI3500/12W/93/A20	D124xH101mmxØ115mm±1mm	AGI3500	780	12W	65	20°
145716 Sedona D32020/AGI4000/12W/93/A20	D124xH101mmxØ115mm±1mm	AGI4000	830	12W	70	20°
145717 Sedona D32020/AGI3000/17W/93/A20	D124xH101mmxØ115mm±1mm	AGI3000	985	17W	58	20°
145718 Sedona D32020/AGI3500/17W/93/A20	D124xH101mmxØ115mm±1mm	AGI3500	1050	17W	62	20°
145719 Sedona D32020/AGI4000/17W/93/A20	D124xH101mmxØ115mm±1mm	AGI4000	1115	17W	66	20°
145720 Sedona D32020/AGI3000/23W/93/A20	D124xH101mmxØ115mm±1mm	AGI3000	1330	23W	58	20°
145721 Sedona D32020/AGI3500/23W/93/A20	D124xH101mmxØ115mm±1mm	AGI3500	1440	23W	63	20°
145722 Sedona D32020/AGI4000/23W/93/A20	D124xH101mmxØ115mm±1mm	AGI4000	1550	23W	68	20°
145723 Sedona D32020/AGI3000/29W/93/A20	D124xH101mmxØ115mm±1mm	AGI3000	1680	29W	58	20°

SKU SPECIFICATIONS

Product Code	Dimensions (mm)	CCT (K)	Lumens (lm)	Power (W)	Eff. (lm/watt)	Lens Angle (°)
CRI 93						
145724 Sedona D32020/AGI3500/29W/93/A20	D124xH101mmxØ115mm±1mm	AGI3500	1820	29W	63	20°
145725 Sedona D32020/AGI4000/29W/93/A20	D124xH101mmxØ115mm±1mm	AGI4000	1960	29W	68	20°
145726 Sedona D32020/AGI3000/34W/93/A20	D124xH101mmxØ115mm±1mm	AGI3000	1900	34W	56	20°
145727 Sedona D32020/AGI3500/34W/93/A20	D124xH101mmxØ115mm±1mm	AGI3500	1995	34W	59	20°
145728 Sedona D32020/AGI4000/34W/93/A20	D124xH101mmxØ115mm±1mm	AGI4000	2095	34W	62	20°
145729 Sedona D32020/AGI3000/12W/93/A30	D124xH101mmxØ115mm±1mm	AGI3000	735	12W	62	30°
145730 Sedona D32020/AGI3500/12W/93/A30	D124xH101mmxØ115mm±1mm	AGI3500	780	12W	65	30°
145731 Sedona D32020/AGI4000/12W/93/A30	D124xH101mmxØ115mm±1mm	AGI4000	830	12W	70	30°
145732 Sedona D32020/AGI3000/17W/93/A30	D124xH101mmxØ115mm±1mm	AGI3000	985	17W	58	30°
145733 Sedona D32020/AGI3500/17W/93/A30	D124xH101mmxØ115mm±1mm	AGI3500	1050	17W	62	30°
145734 Sedona D32020/AGI4000/17W/93/A30	D124xH101mmxØ115mm±1mm	AGI4000	1115	17W	66	30°
145735 Sedona D32020/AGI3000/23W/93/A30	D124xH101mmxØ115mm±1mm	AGI3000	1330	23W	58	30°
145736 Sedona D32020/AGI3500/23W/93/A30	D124xH101mmxØ115mm±1mm	AGI3500	1440	23W	63	30°
145737 Sedona D32020/AGI4000/23W/93/A30	D124xH101mmxØ115mm±1mm	AGI4000	1550	23W	68	30°
145738 Sedona D32020/AGI3000/29W/93/A30	D124xH101mmxØ115mm±1mm	AGI3000	1680	29W	58	30°
145739 Sedona D32020/AGI3500/29W/93/A30	D124xH101mmxØ115mm±1mm	AGI3500	1820	29W	63	30°
145740 Sedona D32020/AGI4000/29W/93/A30	D124xH101mmxØ115mm±1mm	AGI4000	1960	29W	68	30°
145741 Sedona D32020/AGI3000/34W/93/A30	D124xH101mmxØ115mm±1mm	AGI3000	1900	34W	56	30°
145742 Sedona D32020/AGI3500/34W/93/A30	D124xH101mmxØ115mm±1mm	AGI3500	1995	34W	59	30°
145743 Sedona D32020/AGI4000/34W/93/A30	D124xH101mmxØ115mm±1mm	AGI4000	2095	34W	62	30°
145396 Sedona D32020/AGI3000/12W/93/A50	D124xH101mmxØ115mm±1mm	AGI3000	735	12W	62	50°
145397 Sedona D32020/AGI3500/12W/93/A50	D124xH101mmxØ115mm±1mm	AGI3500	780	12W	65	50°
145398 Sedona D32020/AGI4000/12W/93/A50	D124xH101mmxØ115mm±1mm	AGI4000	830	12W	70	50°
145399 Sedona D32020/AGI3000/17W/93/A50	D124xH101mmxØ115mm±1mm	AGI3000	985	17W	58	50°
145400 Sedona D32020/AGI3500/17W/93/A50	D124xH101mmxØ115mm±1mm	AGI3500	1050	17W	62	50°
145401 Sedona D32020/AGI4000/17W/93/A50	D124xH101mmxØ115mm±1mm	AGI4000	1115	17W	66	50°
145402 Sedona D32020/AGI3000/23W/93/A50	D124xH101mmxØ115mm±1mm	AGI3000	1330	23W	58	50°
145403 Sedona D32020/AGI3500/23W/93/A50	D124xH101mmxØ115mm±1mm	AGI3500	1440	23W	63	50°
145404 Sedona D32020/AGI4000/23W/93/A50	D124xH101mmxØ115mm±1mm	AGI4000	1550	23W	68	50°
145405 Sedona D32020/AGI3000/29W/93/A50	D124xH101mmxØ115mm±1mm	AGI3000	1680	29W	58	50°
145406 Sedona D32020/AGI3500/29W/93/A50	D124xH101mmxØ115mm±1mm	AGI3500	1820	29W	63	50°
145407 Sedona D32020/AGI4000/29W/93/A50	D124xH101mmxØ115mm±1mm	AGI4000	1960	29W	68	50°
145408 Sedona D32020/AGI3000/34W/93/A50	D124xH101mmxØ115mm±1mm	AGI3000	1900	34W	56	50°
145409 Sedona D32020/AGI3500/34W/93/A50	D124xH101mmxØ115mm±1mm	AGI3500	1995	34W	59	50°
145410 Sedona D32020/AGI4000/34W/93/A50	D124xH101mmxØ115mm±1mm	AGI4000	2095	34W	62	50°
145411 Sedona D32023/AGI3000/12W/93/A50	D160xH111mmxØ145mm±1mm	AGI3000	735	12W	62	50°
145412 Sedona D32023/AGI3500/12W/93/A50	D160xH111mmxØ145mm±1mm	AGI3500	780	12W	65	50°
145413 Sedona D32023/AGI4000/12W/93/A50	D160xH111mmxØ145mm±1mm	AGI4000	830	12W	70	50°
145414 Sedona D32023/AGI3000/17W/93/A50	D160xH111mmxØ145mm±1mm	AGI3000	985	17W	58	50°
145415 Sedona D32023/AGI3500/17W/93/A50	D160xH111mmxØ145mm±1mm	AGI3500	1050	17W	62	50°
145416 Sedona D32023/AGI4000/17W/93/A50	D160xH111mmxØ145mm±1mm	AGI4000	1115	17W	66	50°
145417 Sedona D32023/AGI3000/23W/93/A50	D160xH111mmxØ145mm±1mm	AGI3000	1330	23W	58	50°
145418 Sedona D32023/AGI3500/23W/93/A50	D160xH111mmxØ145mm±1mm	AGI3500	1440	23W	63	50°
145419 Sedona D32023/AGI4000/23W/93/A50	D160xH111mmxØ145mm±1mm	AGI4000	1550	23W	68	50°
145420 Sedona D32023/AGI3000/29W/93/A50	D160xH111mmxØ145mm±1mm	AGI3000	1680	29W	58	50°
145421 Sedona D32023/AGI3500/29W/93/A50	D160xH111mmxØ145mm±1mm	AGI3500	1820	29W	63	50°
145422 Sedona D32023/AGI4000/29W/93/A50	D160xH111mmxØ145mm±1mm	AGI4000	1960	29W	68	50°
145423 Sedona D32023/AGI3000/34W/93/A50	D160xH111mmxØ145mm±1mm	AGI3000	1900	34W	56	50°
145424 Sedona D32023/AGI3500/34W/93/A50	D160xH111mmxØ145mm±1mm	AGI3500	1995	34W	59	50°
145425 Sedona D32023/AGI4000/34W/93/A50	D160xH111mmxØ145mm±1mm	AGI4000	2095	34W	62	50°
145426 Sedona D32024/AGI3000/12W/93/A45	D180xH122mmxØ170mm±1mm	AGI3000	735	12W	62	45°
145427 Sedona D32024/AGI3500/12W/93/A45	D180xH122mmxØ170mm±1mm	AGI3500	780	12W	65	45°

SKU SPECIFICATIONS

Product Code	Dimensions (mm)	CCT (K)	Lumens (lm)	Power (W)	Eff. (lm/watt)	Lens Angle (°)
CRI 93						
145428 Sedona D32024/AGI4000/12W/93/A45	D180xH122mmxØ170mm±1mm	AGI4000	830	12W	70	45°
145429 Sedona D32024/AGI3000/17W/93/A45	D180xH122mmxØ170mm±1mm	AGI3000	985	17W	58	45°
145430 Sedona D32024/AGI3500/17W/93/A45	D180xH122mmxØ170mm±1mm	AGI3500	1050	17W	62	45°
145431 Sedona D32024/AGI4000/17W/93/A45	D180xH122mmxØ170mm±1mm	AGI4000	1115	17W	66	45°
145432 Sedona D32024/AGI3000/23W/93/A45	D180xH122mmxØ170mm±1mm	AGI3000	1330	23W	58	45°
145433 Sedona D32024/AGI3500/23W/93/A45	D180xH122mmxØ170mm±1mm	AGI3500	1440	23W	63	45°
145434 Sedona D32024/AGI4000/23W/93/A45	D180xH122mmxØ170mm±1mm	AGI4000	1550	23W	68	45°
145435 Sedona D32024/AGI3000/29W/93/A45	D180xH122mmxØ170mm±1mm	AGI3000	1680	29W	58	45°
145436 Sedona D32024/AGI3500/29W/93/A45	D180xH122mmxØ170mm±1mm	AGI3500	1820	29W	63	45°
145437 Sedona D32024/AGI4000/29W/93/A45	D180xH122mmxØ170mm±1mm	AGI4000	1960	29W	68	45°
145438 Sedona D32024/AGI3000/34W/93/A45	D180xH122mmxØ170mm±1mm	AGI3000	1900	34W	56	45°
145439 Sedona D32024/AGI3500/34W/93/A45	D180xH122mmxØ170mm±1mm	AGI3500	1995	34W	59	45°
145440 Sedona D32024/AGI4000/34W/93/A45	D180xH122mmxØ170mm±1mm	AGI4000	2095	34W	62	45°
145441 Sedona D32025/AGI3000/12W/93/A50	D220xH127mm x Ø200mm-210mm±1mm	AGI3000	735	12W	62	50°
145442 Sedona D32025/AGI3500/12W/93/A50	D220xH127mm x Ø200mm-210mm±1mm	AGI3500	780	12W	65	50°
145443 Sedona D32025/AGI4000/12W/93/A50	D220xH127mm x Ø200mm-210mm±1mm	AGI4000	830	12W	70	50°
145444 Sedona D32025/AGI3000/17W/93/A50	D220xH127mm x Ø200mm-210mm±1mm	AGI3000	985	17W	58	50°
145445 Sedona D32025/AGI3500/17W/93/A50	D220xH127mm x Ø200mm-210mm±1mm	AGI3500	1050	17W	62	50°
145446 Sedona D32025/AGI4000/17W/93/A50	D220xH127mm x Ø200mm-210mm±1mm	AGI4000	1115	17W	66	50°
145447 Sedona D32025/AGI3000/23W/93/A50	D220xH127mm x Ø200mm-210mm±1mm	AGI3000	1330	23W	58	50°
145448 Sedona D32025/AGI3500/23W/93/A50	D220xH127mm x Ø200mm-210mm±1mm	AGI3500	1440	23W	63	50°
145449 Sedona D32025/AGI4000/23W/93/A50	D220xH127mm x Ø200mm-210mm±1mm	AGI4000	1550	23W	68	50°
145450 Sedona D32025/AGI3000/29W/93/A50	D220xH127mm x Ø200mm-210mm±1mm	AGI3000	1680	29W	58	50°
145451 Sedona D32025/AGI3500/29W/93/A50	D220xH127mm x Ø200mm-210mm±1mm	AGI3500	1820	29W	63	50°
145452 Sedona D32025/AGI4000/29W/93/A50	D220xH127mm x Ø200mm-210mm±1mm	AGI4000	1960	29W	68	50°
145453 Sedona D32025/AGI3000/34W/93/A50	D220xH127mm x Ø200mm-210mm±1mm	AGI3000	1900	34W	56	50°
145454 Sedona D32025/AGI3500/34W/93/A50	D220xH127mm x Ø200mm-210mm±1mm	AGI3500	1995	34W	59	50°
145455 Sedona D32025/AGI4000/34W/93/A50	D220xH127mm x Ø200mm-210mm±1mm	AGI4000	2095	34W	62	50°
CRI 95						
145596 Sedona D32020/FAS/27W/95/A20	D124xH101mmxØ115mm±1mm	FAS	2080	27W	78	20°
145597 Sedona D32020/FAS/35W/95/A20	D124xH101mmxØ115mm±1mm	FAS	2535	35W	73	20°
145598 Sedona D32020/FAS/42W/95/A20	D124xH101mmxØ115mm±1mm	FAS	2930	42W	70	20°
145599 Sedona D32020/FAS/27W/95/A30	D124xH101mmxØ115mm±1mm	FAS	2080	27W	78	30°
145600 Sedona D32020/FAS/35W/95/A30	D124xH101mmxØ115mm±1mm	FAS	2535	35W	73	30°
145601 Sedona D32020/FAS/42W/95/A30	D124xH101mmxØ115mm±1mm	FAS	2930	42W	70	30°
145160 Sedona D32020/FAS/27W/95/A50	D124xH101mmxØ115mm±1mm	FAS	2080	27W	78	50°
145161 Sedona D32020/FAS/35W/95/A50	D124xH101mmxØ115mm±1mm	FAS	2535	35W	73	50°
145162 Sedona D32020/FAS/42W/95/A50	D124xH101mmxØ115mm±1mm	FAS	2930	42W	70	50°
145163 Sedona D32023/FAS/27W/95/A50	D160xH111mmxØ145mm±1mm	FAS	2080	27W	78	50°
145164 Sedona D32023/FAS/35W/95/A50	D160xH111mmxØ145mm±1mm	FAS	2535	35W	73	50°
145165 Sedona D32023/FAS/42W/95/A50	D160xH111mmxØ145mm±1mm	FAS	2930	42W	70	50°
145166 Sedona D32024/FAS/27W/95/A45	D180xH122mmxØ170mm±1mm	FAS	2080	27W	78	45°
145167 Sedona D32024/FAS/35W/95/A45	D180xH122mmxØ170mm±1mm	FAS	2535	35W	73	45°
145168 Sedona D32024/FAS/42W/95/A45	D180xH122mmxØ170mm±1mm	FAS	2930	42W	70	45°
145169 Sedona D32025/FAS/27W/95/A50	D220xH127mm x Ø200mm-210mm±1mm	FAS	2080	27W	78	50°
145170 Sedona D32025/FAS/35W/95/A50	D220xH127mm x Ø200mm-210mm±1mm	FAS	2535	35W	73	50°
145171 Sedona D32025/FAS/42W/95/A50	D220xH127mm x Ø200mm-210mm±1mm	FAS	2930	42W	70	50°
CRI 98						
145608 Sedona D32020/ART3000/27W/98/A20	D124xH101mmxØ115mm±1mm	ART3000	1995	27W	74	20°
145609 Sedona D32020/ART3000/35W/98/A20	D124xH101mmxØ115mm±1mm	ART3000	2425	35W	70	20°

SKU SPECIFICATIONS

Product Code	Dimensions (mm)	CCT (K)	Lumens (lm)	Power (W)	Eff. (lm/watt)	Lens Angle (°)
CRI 98						
145610 Sedona D32020/ART3000/42W/98/A20	D124xH101mmxØ115mm±1mm	ART3000	2755	42W	66	20°
145611 Sedona D32020/ART3000/27W/98/A30	D124xH101mmxØ115mm±1mm	ART3000	1995	27W	74	30°
145612 Sedona D32020/ART3000/35W/98/A30	D124xH101mmxØ115mm±1mm	ART3000	2425	35W	70	30°
145613 Sedona D32020/ART3000/42W/98/A30	D124xH101mmxØ115mm±1mm	ART3000	2755	42W	66	30°
145184 Sedona D32020/ART3000/27W/98/A50	D124xH101mmxØ115mm±1mm	ART3000	1995	27W	74	50°
145185 Sedona D32020/ART3000/35W/98/A50	D124xH101mmxØ115mm±1mm	ART3000	2425	35W	70	50°
145186 Sedona D32020/ART3000/42W/98/A50	D124xH101mmxØ115mm±1mm	ART3000	2755	42W	66	50°
145187 Sedona D32023/ART3000/27W/98/A50	D160xH111mmxØ145mm±1mm	ART3000	1995	27W	74	50°
145188 Sedona D32023/ART3000/35W/98/A50	D160xH111mmxØ145mm±1mm	ART3000	2425	35W	70	50°
145189 Sedona D32023/ART3000/42W/98/A50	D160xH111mmxØ145mm±1mm	ART3000	2755	42W	66	50°
145190 Sedona D32024/ART3000/27W/98/A45	D180xH122mmxØ170mm±1mm	ART3000	1995	27W	74	45°
145191 Sedona D32024/ART3000/35W/98/A45	D180xH122mmxØ170mm±1mm	ART3000	2425	35W	70	45°
145192 Sedona D32024/ART3000/42W/98/A45	D180xH122mmxØ170mm±1mm	ART3000	2755	42W	66	45°
145193 Sedona D32025/ART3000/27W/98/A50	D220xH127mm x Ø200mm-210mm±1mm	ART3000	1995	27W	74	50°
145194 Sedona D32025/ART3000/35W/98/A50	D220xH127mm x Ø200mm-210mm±1mm	ART3000	2425	35W	70	50°
145195 Sedona D32025/ART3000/42W/98/A50	D220xH127mm x Ø200mm-210mm±1mm	ART3000	2755	42W	66	50°