



Iris

TRACK DOWNLIGHTS | NON-DALI SERIES

Iris is a cylindrical minimal low voltage track mounted luminaire with an elegant and slim silhouette. Iris possesses a unique geometrical and sleek design extends the several application options also to hospitality and residential environments.

The low voltage adapter contains the electronics that converts constant voltage (48 V) to constant current for the luminaire. °. Easy to mount without tools to the low voltage track.

Iris has several series, determined by various add-on and controls:

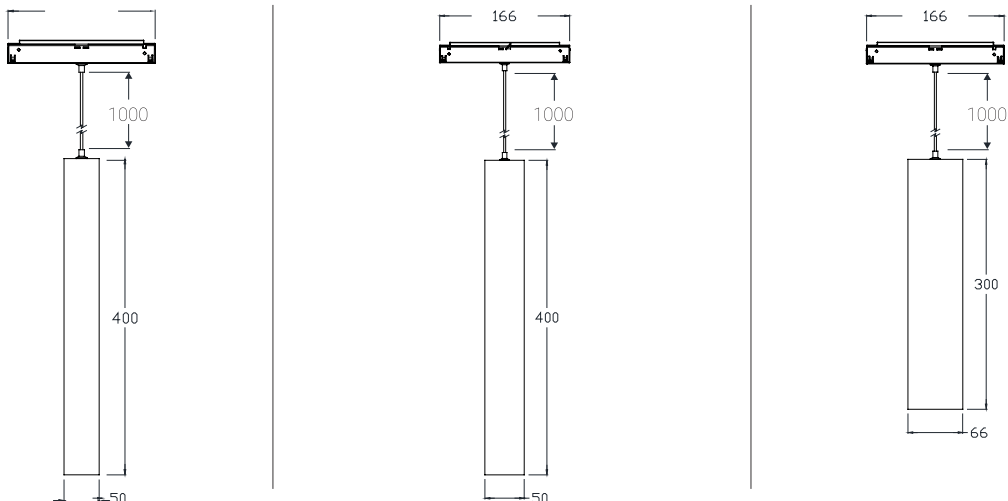
- Iris Non-DALI: the standard for any project in the retail sector
- Iris DALI: with DALI controls for illumination adjustment

APPLICATION

Grocery & Supermarket | Retail | Art & Exhibition | Hospitality

FEATURES & BENEFITS

- CRI > 80 as standard, up to 93 for certain special colors
- 8 color temperatures, including specialized options for ambiance and AGI light
- Long rated life: L90/B10@50.000h
- Luminaire efficiency: 117 lm/w @4000K
- Dimmable (only for DALI Series)



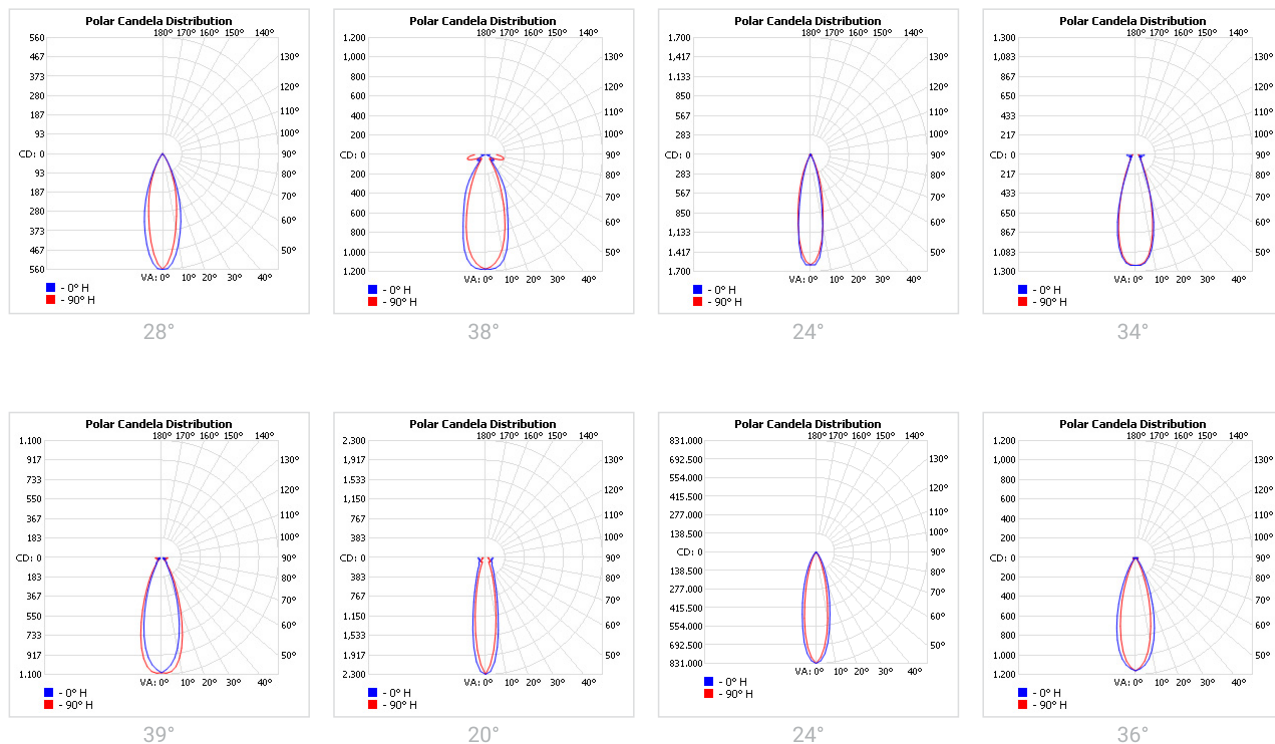
SPECIFICATIONS

Power consumption	4W, 7W, 9W, 10W	4W, 5W, 7W, 10W, 11W, 14W	7W, 9W, 10W, 13W, 15W, 17W, 18W
Dimensions	Ø40x400±1mm	Ø50x400±1mm	Ø58x300±1mm
Weight	0.7 Kg	0.8 Kg	0.8 Kg
Housing materials	Aluminium, Glass		
IK code	IK02		
Protection class	Safety class 1		
Operating temperature [°C]	-20°C ... +45°C / -4F ... +113F		
Operating humidity [%]	10 ÷ 85		
AC Input [Vac]	48 Vdc		
Lens angle [°]	28°, 38°	24°, 34°, 39°	20°, 24°, 36°
Lifespan [h]	50,000		
Housing color	○ RAL 9003 - signal white, ● RAL 9005 - jet black,		
Lumen maintenance	L90/B10@50.000h at 25°C		
IP factor	IP20		
Control optional	-		
Warranty [years]	5		
Storage temperature range [°C]	-20°C ... +55°C / -4F ... +131F		
Emergency option	-		

Light application	Standard	AMB	AGI
CRI	CRI 80	CRI 80	CRI 93
CCT [K]	2700K/3000K/3500K/4000K	2200K	AGI3000/AGI3500/AGI4000
MacAdam	3	3	3

CRI - Color rendering, CCT - Color temperature, MacAdam - Color consistency

LIGHT DISTRIBUTION



RISK GROUP

RG1

The evaluation of photobiological safety is carried out according to the standard IEC 62471:2008 ("Photobiological safety of lamps and lamp systems"). Following the definition of the risk grouping system of the mentioned IEC standard, the LEDs mounted on this family fall into the class "Low Risk (RG1 – No photobiological hazard under normal behavioral limitations)". Under real circumstances (regarding exposure time, pupils, observation distance), it is assumed that there is no endangerment to the eye from these devices. As a matter of principle, however, it should be mentioned that intense light sources have a high secondary exposure potential due to their blinding effect.

SKU SPECIFICATIONS

Product Code	Dimensions (mm)	CCT (K)	Lumens (lm)	Power (W)	Eff. (lm/watt)	Lens Angle (°)
CRI 80						
1A9000 Iris S AG9301/2700/4W/80/A28	Ø40x400±1mm	2700	325	4W	82	28°
1A9001 Iris S AG9301/3000/4W/80/A28	Ø40x400±1mm	3000	345	4W	87	28°
1A9002 Iris S AG9301/3500/4W/80/A28	Ø40x400±1mm	3500	355	4W	89	28°
1A9003 Iris S AG9301/4000/4W/80/A28	Ø40x400±1mm	4000	360	4W	90	28°
1A9004 Iris S AG9301/2700/4W/80/A38	Ø40x400±1mm	2700	325	4W	82	38°
1A9005 Iris S AG9301/3000/4W/80/A38	Ø40x400±1mm	3000	345	4W	87	38°
1A9006 Iris S AG9301/3500/4W/80/A38	Ø40x400±1mm	3500	355	4W	89	38°
1A9007 Iris S AG9301/4000/4W/80/A38	Ø40x400±1mm	4000	360	4W	90	38°
1A9008 Iris S AG9301/2700/9W/80/A28	Ø40x400±1mm	2700	705	9W	79	28°
1A9009 Iris S AG9301/3000/9W/80/A28	Ø40x400±1mm	3000	740	9W	83	28°
1A9010 Iris S AG9301/3500/9W/80/A28	Ø40x400±1mm	3500	760	9W	85	28°
1A9011 Iris S AG9301/4000/9W/80/A28	Ø40x400±1mm	4000	775	9W	87	28°
1A9012 Iris S AG9301/2700/9W/80/A38	Ø40x400±1mm	2700	705	9W	79	38°
1A9013 Iris S AG9301/3000/9W/80/A38	Ø40x400±1mm	3000	740	9W	83	38°
1A9014 Iris S AG9301/3500/9W/80/A38	Ø40x400±1mm	3500	760	9W	85	38°
1A9015 Iris S AG9301/4000/9W/80/A38	Ø40x400±1mm	4000	775	9W	87	38°
1A9016 Iris M AG9302/2700/5W/80/A24	Ø50x400±1mm	2700	485	5W	97	24°
1A9017 Iris M AG9302/3000/5W/80/A24	Ø50x400±1mm	3000	510	5W	102	24°
1A9018 Iris M AG9302/3500/5W/80/A24	Ø50x400±1mm	3500	525	5W	105	24°
1A9019 Iris M AG9302/4000/5W/80/A24	Ø50x400±1mm	4000	535	5W	107	24°
1A9020 Iris M AG9302/2700/5W/80/A34	Ø50x400±1mm	2700	485	5W	97	34°
1A9021 Iris M AG9302/3000/5W/80/A34	Ø50x400±1mm	3000	510	5W	102	34°
1A9022 Iris M AG9302/3500/5W/80/A34	Ø50x400±1mm	3500	525	5W	105	34°
1A9023 Iris M AG9302/4000/5W/80/A34	Ø50x400±1mm	4000	535	5W	107	34°
1A9024 Iris M AG9302/2700/5W/80/A39	Ø50x400±1mm	2700	485	5W	97	39°
1A9025 Iris M AG9302/3000/5W/80/A39	Ø50x400±1mm	3000	510	5W	102	39°
1A9026 Iris M AG9302/3500/5W/80/A39	Ø50x400±1mm	3500	525	5W	105	39°
1A9027 Iris M AG9302/4000/5W/80/A39	Ø50x400±1mm	4000	535	5W	107	39°
1A9028 Iris M AG9302/2700/10W/80/A24	Ø50x400±1mm	2700	860	10W	96	24°
1A9029 Iris M AG9302/3000/10W/80/A24	Ø50x400±1mm	3000	900	10W	100	24°
1A9030 Iris M AG9302/3500/10W/80/A24	Ø50x400±1mm	3500	930	10W	104	24°
1A9031 Iris M AG9302/4000/10W/80/A24	Ø50x400±1mm	4000	945	10W	105	24°
1A9032 Iris M AG9302/2700/10W/80/A34	Ø50x400±1mm	2700	860	10W	96	34°
1A9033 Iris M AG9302/3000/10W/80/A34	Ø50x400±1mm	3000	900	10W	100	34°
1A9034 Iris M AG9302/3500/10W/80/A34	Ø50x400±1mm	3500	930	10W	104	34°
1A9035 Iris M AG9302/4000/10W/80/A34	Ø50x400±1mm	4000	945	10W	105	34°
1A9036 Iris M AG9302/2700/10W/80/A39	Ø50x400±1mm	2700	860	10W	96	39°
1A9037 Iris M AG9302/3000/10W/80/A39	Ø50x400±1mm	3000	900	10W	100	39°
1A9038 Iris M AG9302/3500/10W/80/A39	Ø50x400±1mm	3500	930	10W	104	39°
1A9039 Iris M AG9302/4000/10W/80/A39	Ø50x400±1mm	4000	945	10W	105	39°
1A9040 Iris M AG9302/2700/14W/80/A24	Ø50x400±1mm	2700	1170	14W	90	24°
1A9041 Iris M AG9302/3000/14W/80/A24	Ø50x400±1mm	3000	1230	14W	95	24°
1A9042 Iris M AG9302/3500/14W/80/A24	Ø50x400±1mm	3500	1265	14W	98	24°
1A9043 Iris M AG9302/4000/14W/80/A24	Ø50x400±1mm	4000	1290	14W	100	24°
1A9044 Iris M AG9302/2700/14W/80/A34	Ø50x400±1mm	2700	1170	14W	90	34°
1A9045 Iris M AG9302/3000/14W/80/A34	Ø50x400±1mm	3000	1230	14W	95	34°
1A9046 Iris M AG9302/3500/14W/80/A34	Ø50x400±1mm	3500	1265	14W	98	34°
1A9047 Iris M AG9302/4000/14W/80/A34	Ø50x400±1mm	4000	1290	14W	100	34°
1A9048 Iris M AG9302/2700/14W/80/A39	Ø50x400±1mm	2700	1170	14W	90	39°
1A9049 Iris M AG9302/3000/14W/80/A39	Ø50x400±1mm	3000	1230	14W	95	39°

SKU SPECIFICATIONS

Product Code	Dimensions (mm)	CCT (K)	Lumens (lm)	Power (W)	Eff. (lm/watt)	Lens Angle (°)
CRI 80						
1A9050 Iris M AG9302/3500/14W/80/A39	Ø50x400±1mm	3500	1265	14W	98	39°
1A9051 Iris M AG9302/4000/14W/80/A39	Ø50x400±1mm	4000	1290	14W	100	39°
1A9052 Iris L AG9303/2700/9W/80/A20	Ø58x300±1mm	2700	515	9W	103	20°
1A9053 Iris L AG9303/3000/9W/80/A20	Ø58x300±1mm	3000	540	9W	108	20°
1A9054 Iris L AG9303/3500/9W/80/A20	Ø58x300±1mm	3500	555	9W	111	20°
1A9055 Iris L AG9303/4000/9W/80/A20	Ø58x300±1mm	4000	565	9W	113	20°
1A9056 Iris L AG9303/2700/9W/80/A24	Ø58x300±1mm	2700	515	9W	103	24°
1A9057 Iris L AG9303/3000/9W/80/A24	Ø58x300±1mm	3000	540	9W	108	24°
1A9058 Iris L AG9303/3500/9W/80/A24	Ø58x300±1mm	3500	555	9W	111	24°
1A9059 Iris L AG9303/4000/9W/80/A24	Ø58x300±1mm	4000	565	9W	113	24°
1A9060 Iris L AG9303/2700/9W/80/A36	Ø58x300±1mm	2700	515	9W	103	36°
1A9061 Iris L AG9303/3000/9W/80/A36	Ø58x300±1mm	3000	540	9W	108	36°
1A9062 Iris L AG9303/3500/9W/80/A36	Ø58x300±1mm	3500	555	9W	111	36°
1A9063 Iris L AG9303/4000/9W/80/A36	Ø58x300±1mm	4000	565	9W	113	36°
1A9064 Iris L AG9303/2700/13W/80/A20	Ø58x300±1mm	2700	950	13W	106	20°
1A9065 Iris L AG9303/3000/13W/80/A20	Ø58x300±1mm	3000	1000	13W	112	20°
1A9066 Iris L AG9303/3500/13W/80/A20	Ø58x300±1mm	3500	1025	13W	114	20°
1A9067 Iris L AG9303/4000/13W/80/A20	Ø58x300±1mm	4000	1050	13W	117	20°
1A9068 Iris L AG9303/2700/13W/80/A24	Ø58x300±1mm	2700	950	13W	106	24°
1A9069 Iris L AG9303/3000/13W/80/A24	Ø58x300±1mm	3000	1000	13W	112	24°
1A9070 Iris L AG9303/3500/13W/80/A24	Ø58x300±1mm	3500	1025	13W	114	24°
1A9071 Iris L AG9303/4000/13W/80/A24	Ø58x300±1mm	4000	1050	13W	117	24°
1A9072 Iris L AG9303/2700/13W/80/A36	Ø58x300±1mm	2700	950	13W	106	36°
1A9073 Iris L AG9303/3000/13W/80/A36	Ø58x300±1mm	3000	1000	13W	112	36°
1A9074 Iris L AG9303/3500/13W/80/A36	Ø58x300±1mm	3500	1025	13W	114	36°
1A9075 Iris L AG9303/4000/13W/80/A36	Ø58x300±1mm	4000	1050	13W	117	36°
1A9076 Iris L AG9303/2700/17W/80/A20	Ø58x300±1mm	2700	1280	17W	99	20°
1A9077 Iris L AG9303/3000/17W/80/A20	Ø58x300±1mm	3000	1345	17W	104	20°
1A9078 Iris L AG9303/3500/17W/80/A20	Ø58x300±1mm	3500	1385	17W	107	20°
1A9079 Iris L AG9303/4000/17W/80/A20	Ø58x300±1mm	4000	1415	17W	109	20°
1A9080 Iris L AG9303/2700/17W/80/A24	Ø58x300±1mm	2700	1280	17W	99	24°
1A9081 Iris L AG9303/3000/17W/80/A24	Ø58x300±1mm	3000	1345	17W	104	24°
1A9082 Iris L AG9303/3500/17W/80/A24	Ø58x300±1mm	3500	1385	17W	107	24°
1A9083 Iris L AG9303/4000/17W/80/A24	Ø58x300±1mm	4000	1415	17W	109	24°
1A9084 Iris L AG9303/2700/17W/80/A36	Ø58x300±1mm	2700	1280	17W	99	36°
1A9085 Iris L AG9303/3000/17W/80/A36	Ø58x300±1mm	3000	1345	17W	104	36°
1A9086 Iris L AG9303/3500/17W/80/A36	Ø58x300±1mm	3500	1385	17W	107	36°
1A9087 Iris L AG9303/4000/17W/80/A36	Ø58x300±1mm	4000	1415	17W	109	36°
1A9088 Iris S AG9301/AMB2200/4W/80/A28	Ø40x400±1mm	AMB2200	280	4W	70	28°
1A9089 Iris S AG9301/AMB2200/4W/80/A38	Ø40x400±1mm	AMB2200	280	4W	70	38°
1A9090 Iris S AG9301/AMB2200/9W/80/A28	Ø40x400±1mm	AMB2200	610	9W	68	28°
1A9091 Iris S AG9301/AMB2200/9W/80/A38	Ø40x400±1mm	AMB2200	610	9W	68	38°
1A9092 Iris M AG9302/AMB2200/5W/80/A24	Ø50x400±1mm	AMB2200	380	5W	76	24°
1A9093 Iris M AG9302/AMB2200/5W/80/A34	Ø50x400±1mm	AMB2200	380	5W	76	34°
1A9094 Iris M AG9302/AMB2200/5W/80/A39	Ø50x400±1mm	AMB2200	380	5W	76	39°
1A9095 Iris M AG9302/AMB2200/10W/80/A24	Ø50x400±1mm	AMB2200	705	10W	71	24°
1A9096 Iris M AG9302/AMB2200/10W/80/A34	Ø50x400±1mm	AMB2200	705	10W	71	34°
1A9097 Iris M AG9302/AMB2200/10W/80/A39	Ø50x400±1mm	AMB2200	705	10W	71	39°
1A9098 Iris M AG9302/AMB2200/14W/80/A24	Ø50x400±1mm	AMB2200	935	14W	67	24°
1A9099 Iris M AG9302/AMB2200/14W/80/A34	Ø50x400±1mm	AMB2200	935	14W	67	34°

SKU SPECIFICATIONS

Product Code	Dimensions (mm)	CCT (K)	Lumens (lm)	Power (W)	Eff. (lm/watt)	Lens Angle (°)
CRI 80						
1A9100 Iris M AG9302/AMB2200/14W/80/A39	Ø50x400±1mm	AMB2200	935	14W	67	39°
1A9101 Iris L AG9303/AMB2200/9W/80/A20	Ø58x300±1mm	AMB2200	345	9W	87	20°
1A9102 Iris L AG9303/AMB2200/9W/80/A24	Ø58x300±1mm	AMB2200	345	9W	87	24°
1A9103 Iris L AG9303/AMB2200/9W/80/A36	Ø58x300±1mm	AMB2200	345	9W	87	36°
1A9104 Iris L AG9303/AMB2200/13W/80/A20	Ø58x300±1mm	AMB2200	745	13W	83	20°
1A9105 Iris L AG9303/AMB2200/13W/80/A24	Ø58x300±1mm	AMB2200	745	13W	83	24°
1A9106 Iris L AG9303/AMB2200/13W/80/A36	Ø58x300±1mm	AMB2200	745	13W	83	36°
1A9107 Iris L AG9303/AMB2200/18W/80/A20	Ø58x300±1mm	AMB2200	995	18W	77	20°
1A9108 Iris L AG9303/AMB2200/18W/80/A24	Ø58x300±1mm	AMB2200	995	18W	77	24°
1A9109 Iris L AG9303/AMB2200/18W/80/A36	Ø58x300±1mm	AMB2200	995	18W	77	36°
CRI 93						
1A9110 Iris S AG9301/AGI3000/7W/93/A28	Ø40x400±1mm	AGI3000	375	7W	54	28°
1A9111 Iris S AG9301/AGI3500/7W/93/A28	Ø40x400±1mm	AGI3500	380	7W	55	28°
1A9112 Iris S AG9301/AGI4000/7W/93/A28	Ø40x400±1mm	AGI4000	390	7W	56	28°
1A9113 Iris S AG9301/AGI3000/7W/93/A38	Ø40x400±1mm	AGI3000	375	7W	54	38°
1A9114 Iris S AG9301/AGI3500/7W/93/A38	Ø40x400±1mm	AGI3500	380	7W	55	38°
1A9115 Iris S AG9301/AGI4000/7W/93/A38	Ø40x400±1mm	AGI4000	390	7W	56	38°
1A9116 Iris S AG9301/AGI3000/10W/93/A28	Ø40x400±1mm	AGI3000	500	10W	50	28°
1A9117 Iris S AG9301/AGI3500/10W/93/A28	Ø40x400±1mm	AGI3500	510	10W	51	28°
1A9118 Iris S AG9301/AGI4000/10W/93/A28	Ø40x400±1mm	AGI4000	520	10W	52	28°
1A9119 Iris S AG9301/AGI3000/10W/93/A38	Ø40x400±1mm	AGI3000	500	10W	50	38°
1A9120 Iris S AG9301/AGI3500/10W/93/A38	Ø40x400±1mm	AGI3500	510	10W	51	38°
1A9121 Iris S AG9301/AGI4000/10W/93/A38	Ø40x400±1mm	AGI4000	520	10W	52	38°
1A9122 Iris M AG9302/AGI3000/4W/93/A24	Ø50x400±1mm	AGI3000	255	4W	64	24°
1A9123 Iris M AG9302/AGI3500/4W/93/A24	Ø50x400±1mm	AGI3500	260	4W	65	24°
1A9124 Iris M AG9302/AGI4000/4W/93/A24	Ø50x400±1mm	AGI4000	265	4W	67	24°
1A9125 Iris M AG9302/AGI3000/4W/93/A34	Ø50x400±1mm	AGI3000	255	4W	64	34°
1A9126 Iris M AG9302/AGI3500/4W/93/A34	Ø50x400±1mm	AGI3500	260	4W	65	34°
1A9127 Iris M AG9302/AGI4000/4W/93/A34	Ø50x400±1mm	AGI4000	265	4W	67	34°
1A9128 Iris M AG9302/AGI3000/4W/93/A39	Ø50x400±1mm	AGI3000	255	4W	64	39°
1A9129 Iris M AG9302/AGI3500/4W/93/A39	Ø50x400±1mm	AGI3500	260	4W	65	39°
1A9130 Iris M AG9302/AGI4000/4W/93/A39	Ø50x400±1mm	AGI4000	265	4W	67	39°
1A9131 Iris M AG9302/AGI3000/7W/93/A24	Ø50x400±1mm	AGI3000	460	7W	66	24°
1A9132 Iris M AG9302/AGI3500/7W/93/A24	Ø50x400±1mm	AGI3500	470	7W	68	24°
1A9133 Iris M AG9302/AGI4000/7W/93/A24	Ø50x400±1mm	AGI4000	480	7W	69	24°
1A9134 Iris M AG9302/AGI3000/7W/93/A34	Ø50x400±1mm	AGI3000	460	7W	66	34°
1A9135 Iris M AG9302/AGI3500/7W/93/A34	Ø50x400±1mm	AGI3500	470	7W	68	34°
1A9136 Iris M AG9302/AGI4000/7W/93/A34	Ø50x400±1mm	AGI4000	480	7W	69	34°
1A9137 Iris M AG9302/AGI3000/7W/93/A39	Ø50x400±1mm	AGI3000	460	7W	66	39°
1A9138 Iris M AG9302/AGI3500/7W/93/A39	Ø50x400±1mm	AGI3500	470	7W	68	39°
1A9139 Iris M AG9302/AGI4000/7W/93/A39	Ø50x400±1mm	AGI4000	480	7W	69	39°
1A9140 Iris M AG9302/AGI3000/11W/93/A24	Ø50x400±1mm	AGI3000	615	11W	56	24°
1A9141 Iris M AG9302/AGI3500/11W/93/A24	Ø50x400±1mm	AGI3500	625	11W	57	24°
1A9142 Iris M AG9302/AGI4000/11W/93/A24	Ø50x400±1mm	AGI4000	640	11W	59	24°
1A9143 Iris M AG9302/AGI3000/11W/93/A34	Ø50x400±1mm	AGI3000	615	11W	56	34°
1A9144 Iris M AG9302/AGI3500/11W/93/A34	Ø50x400±1mm	AGI3500	625	11W	57	34°
1A9145 Iris M AG9302/AGI4000/11W/93/A34	Ø50x400±1mm	AGI4000	640	11W	59	34°
1A9146 Iris M AG9302/AGI3000/11W/93/A39	Ø50x400±1mm	AGI3000	615	11W	56	39°
1A9147 Iris M AG9302/AGI3500/11W/93/A39	Ø50x400±1mm	AGI3500	625	11W	57	39°

SKU SPECIFICATIONS

Product Code	Dimensions (mm)	CCT (K)	Lumens (lm)	Power (W)	Eff. (lm/watt)	Lens Angle (°)
CRI 93						
1A9148 Iris M AG9302/AGI4000/11W/93/A39	Ø50x400±1mm	AGI4000	640	11W	59	39°
1A9149 Iris M AG9302/AGI3000/14W/93/A24	Ø50x400±1mm	AGI3000	745	14W	54	24°
1A9150 Iris M AG9302/AGI3500/14W/93/A24	Ø50x400±1mm	AGI3500	760	14W	55	24°
1A9151 Iris M AG9302/AGI4000/14W/93/A24	Ø50x400±1mm	AGI4000	775	14W	56	24°
1A9152 Iris M AG9302/AGI3000/14W/93/A34	Ø50x400±1mm	AGI3000	745	14W	54	34°
1A9153 Iris M AG9302/AGI3500/14W/93/A34	Ø50x400±1mm	AGI3500	760	14W	55	34°
1A9154 Iris M AG9302/AGI4000/14W/93/A34	Ø50x400±1mm	AGI4000	775	14W	56	34°
1A9155 Iris M AG9302/AGI3000/14W/93/A39	Ø50x400±1mm	AGI3000	745	14W	54	39°
1A9156 Iris M AG9302/AGI3500/14W/93/A39	Ø50x400±1mm	AGI3500	760	14W	55	39°
1A9157 Iris M AG9302/AGI4000/14W/93/A39	Ø50x400±1mm	AGI4000	775	14W	56	39°
1A9158 Iris L AG9303/AGI3000/7W/93/A20	Ø58x300±1mm	AGI3000	485	7W	70	20°
1A9159 Iris L AG9303/AGI3500/7W/93/A20	Ø58x300±1mm	AGI3500	495	7W	71	20°
1A9160 Iris L AG9303/AGI4000/7W/93/A20	Ø58x300±1mm	AGI4000	505	7W	73	20°
1A9161 Iris L AG9303/AGI3000/7W/93/A24	Ø58x300±1mm	AGI3000	485	7W	70	24°
1A9162 Iris L AG9303/AGI3500/7W/93/A24	Ø58x300±1mm	AGI3500	495	7W	71	24°
1A9163 Iris L AG9303/AGI4000/7W/93/A24	Ø58x300±1mm	AGI4000	505	7W	73	24°
1A9164 Iris L AG9303/AGI3000/7W/93/A36	Ø58x300±1mm	AGI3000	485	7W	70	36°
1A9165 Iris L AG9303/AGI3500/7W/93/A36	Ø58x300±1mm	AGI3500	495	7W	71	36°
1A9166 Iris L AG9303/AGI4000/7W/93/A36	Ø58x300±1mm	AGI4000	505	7W	73	36°
1A9167 Iris L AG9303/AGI3000/10W/93/A20	Ø58x300±1mm	AGI3000	645	10W	65	20°
1A9168 Iris L AG9303/AGI3500/10W/93/A20	Ø58x300±1mm	AGI3500	660	10W	66	20°
1A9169 Iris L AG9303/AGI4000/10W/93/A20	Ø58x300±1mm	AGI4000	670	10W	67	20°
1A9170 Iris L AG9303/AGI3000/10W/93/A24	Ø58x300±1mm	AGI3000	645	10W	65	24°
1A9171 Iris L AG9303/AGI3500/10W/93/A24	Ø58x300±1mm	AGI3500	660	10W	66	24°
1A9172 Iris L AG9303/AGI4000/10W/93/A24	Ø58x300±1mm	AGI4000	670	10W	67	24°
1A9173 Iris L AG9303/AGI3000/10W/93/A36	Ø58x300±1mm	AGI3000	645	10W	65	36°
1A9174 Iris L AG9303/AGI3500/10W/93/A36	Ø58x300±1mm	AGI3500	660	10W	66	36°
1A9175 Iris L AG9303/AGI4000/10W/93/A36	Ø58x300±1mm	AGI4000	670	10W	67	36°
1A9176 Iris L AG9303/AGI3000/13W/93/A20	Ø58x300±1mm	AGI3000	795	13W	62	20°
1A9177 Iris L AG9303/AGI3500/13W/93/A20	Ø58x300±1mm	AGI3500	810	13W	63	20°
1A9178 Iris L AG9303/AGI4000/13W/93/A20	Ø58x300±1mm	AGI4000	830	13W	64	20°
1A9179 Iris L AG9303/AGI3000/13W/93/A24	Ø58x300±1mm	AGI3000	795	13W	62	24°
1A9180 Iris L AG9303/AGI3500/13W/93/A24	Ø58x300±1mm	AGI3500	810	13W	63	24°
1A9181 Iris L AG9303/AGI4000/13W/93/A24	Ø58x300±1mm	AGI4000	830	13W	64	24°
1A9182 Iris L AG9303/AGI3000/13W/93/A36	Ø58x300±1mm	AGI3000	795	13W	62	36°
1A9183 Iris L AG9303/AGI3500/13W/93/A36	Ø58x300±1mm	AGI3500	810	13W	63	36°
1A9184 Iris L AG9303/AGI4000/13W/93/A36	Ø58x300±1mm	AGI4000	830	13W	64	36°
1A9185 Iris L AG9303/AGI3000/15W/93/A20	Ø58x300±1mm	AGI3000	855	15W	57	20°
1A9186 Iris L AG9303/AGI3500/15W/93/A20	Ø58x300±1mm	AGI3500	875	15W	59	20°
1A9187 Iris L AG9303/AGI4000/15W/93/A20	Ø58x300±1mm	AGI4000	890	15W	60	20°
1A9188 Iris L AG9303/AGI3000/15W/93/A24	Ø58x300±1mm	AGI3000	855	15W	57	24°
1A9189 Iris L AG9303/AGI3500/15W/93/A24	Ø58x300±1mm	AGI3500	875	15W	59	24°
1A9190 Iris L AG9303/AGI4000/15W/93/A24	Ø58x300±1mm	AGI4000	890	15W	60	24°
1A9191 Iris L AG9303/AGI3000/15W/93/A36	Ø58x300±1mm	AGI3000	855	15W	57	36°
1A9192 Iris L AG9303/AGI3500/15W/93/A36	Ø58x300±1mm	AGI3500	875	15W	59	36°
1A9193 Iris L AG9303/AGI4000/15W/93/A36	Ø58x300±1mm	AGI4000	890	15W	60	36°

Technical specifications can be modified without prior notice. All information is property of Greentek Lighting.

The presentation picture is for information purposes only. Latest document update: October 10, 2019 1:42 PM. www.greentek.eu