

Jasper

Surface Mounted & Suspended



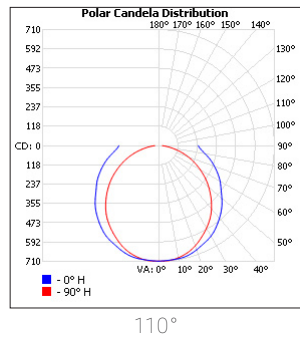
FEATURES & BENEFITS

- Available in three form factors: 60cm, 120cm and 150cm
- One temperature: 4000K
- Robust and waterproof with IP66
- Lens angle: 110°
- Color rendering index: 80
- Efficiency @4000K: 144 lm/W

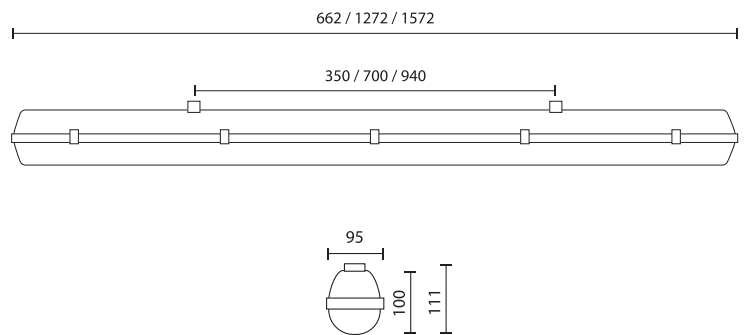
APPLICATIONS

Shipping | Storage Facilities | Workshops |
Industrial & Logistics | Parking

LIGHT DISTRIBUTION



TECHNICAL DRAW



SPECIFICATIONS

Power	19W	22W, 27W, 32W, 38W	27W, 34W, 41W, 49W
Dimensions	662 x 95 x 100 ± 1mm	1272 x 95 x 100 ± 1mm	1572 x 95 x 100 ± 1mm
Color Rendering	CRI80		
Housing materials	Polycarbonate		
IK Code	IK10		
Operating temperature (°C) for Non-DALI	-20C...+40C/-4F...+104F		
AC Input	220-240 Vac		
Color temperature	4000K		
Lens angle (°)	110°		
Lifespan (h)	50000		
Housing color	Grey		
Lumen maintenance	L70/B50@50.000h at 85°C		
IP Rating	IP66		
Control option	-		
Warranty (years)	5 years		
Efficiency @4000K	144 lm/W		
Luminous flux tolerance	+/- 10%		
Consumption tolerance	-/+ 10%		

SKU SPECIFICATIONS

Article Number	Dimensions (mm)	CCT (K)	Lumens (lm)	Power (W)	Efficiency (lm/watt)	Lens angle (degrees)	Weight (kg)
174200 Jasper 60IP66/4000/19W/80/A110	662 x 95 x 100 ± 1mm	4000	2450	19	129	110°	1.2 Kg
174201 Jasper 120IP66/4000/22W/80/A110	1272 x 95 x 100 ± 1mm	4000	3080	22	140	110°	1.7 Kg
174202 Jasper 120IP66/4000/27W/80/A110	1272 x 95 x 100 ± 1mm	4000	3730	27	138	110°	1.7 Kg
174203 Jasper 120IP66/4000/32W/80/A110	1272 x 95 x 100 ± 1mm	4000	4330	32	135	110°	1.7 Kg
174204 Jasper 120IP66/4000/38W/80/A110	1272 x 95 x 100 ± 1mm	4000	4910	38	129	110°	1.7 Kg
174205 Jasper 150IP66/4000/27W/80/A110	1572 x 95 x 100 ± 1mm	4000	3880	27	144	110°	2.1 Kg
174206 Jasper 150IP66/4000/34W/80/A110	1572 x 95 x 100 ± 1mm	4000	4750	34	140	110°	2.1 Kg
174207 Jasper 150IP66/4000/41W/80/A110	1572 x 95 x 100 ± 1mm	4000	5530	41	135	110°	2.1 Kg
174208 Jasper 150IP66/4000/49W/80/A110	1572 x 95 x 100 ± 1mm	4000	6330	49	129	110°	2.1 Kg