



## Sedona

### RECESSED DOWNLIGHTS | NON-DALI SERIES

Round recessed LED downlight for general lighting and accent lighting with perfect glare control. Highly reflective aluminum finish for zero iridescence. Best for applications such as offices, showrooms, commercial areas, hospitals, hotels, airports.

Available in two series, with different add-ons and controls:

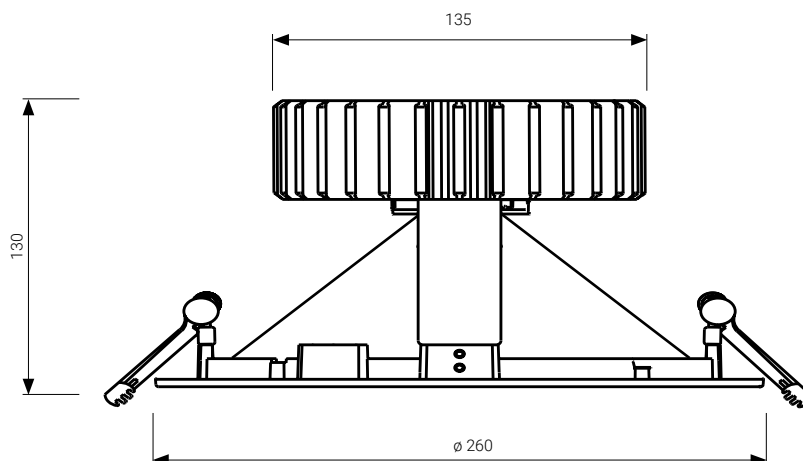
- Sedona Non-DALI – the standard for any project in the retail sector
- Sedona DALI – with DALI controls for illumination adjustments

### FEATURES & BENEFITS

- CCRI  $\geq 80$  standard, but higher is available
- Very long service life: 50,000 h at 90% luminous flux
- Luminaire efficiency: 131lm/W @4000K
- Beam angles: 90 °
- Dimmable

### APPLICATION

Grocery & Supermarkets | Retail | Office | Healthcare | Hospitality | DIY



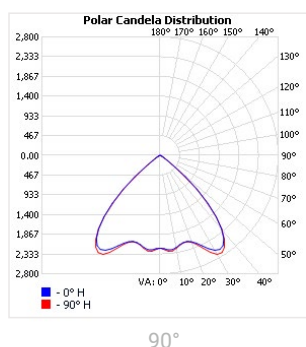
**SPECIFICATIONS**

Power consumption	12W, 14W, 17W, 20W, 23W, 27W, 29W, 34W, 35W, 42W
Dimensions	D260 x H130 x Ø240mm ±1mm
Weight	1.4 Kg
Housing materials	Aluminium, glass
IK code	IK02
THD (at 230V, 50Hz, Full load)	≤ 15%
Protection class	Safety class 1
Operating temperature [°C]	-20°C ... +45°C / -4F ... +113F
Operating humidity [%]	10 ÷ 85
Power factor	≥0.95
AC Input [Vac]	220 - 240 VAC
Lens angle [°]	90°
Lifespan [h]	50.000
Housing color	○ RAL 9003 - Signal white, ● RAL 9005 - Jet Black, ● RAL 9006 - White Aluminium
Lumen maintenance	L90/B10@50.000h at 25°C
IP factor	IP20
Control optional	-
Warranty [years]	5
Storage temperature range [°C]	-20°C ... +55°C / -4F ... +131F
Emergency option	-

#	Standard	Food	#	Fashion	AGI	ART	AMB
CRI	CRI80	CRI80	CRI90	CRI95	CRI93	CRI98	CRI80
CCT [K]	2700 / 3000 / 3500 / 4000	BVF / FBS / FZM / FSM / FSH	2700 / 3000 / 3500 / 4000	FAS	AGI 3000 / 3500 / 4000	3000	2200
MacAdam	3	3 / 4 / 4 / 3 / 3	3	3	3	2	3

CRI - Color rendering, CCT - Color temperature, MacAdam - Color consistency

**LIGHT DISTRIBUTION**



**TOLERANCES**

---

**Luminous flux tolerances:** -/+ 5%

**Consumption tolerance:** -/+ 5% for Non-DALI | -/+ 10% for Non-DALI & KIT EM | -/+ 10% for DALI | -/+ 15% for DALI & KIT EM

**BATTERY WARRANTY**

---

**Non-DALI EM & DALI EM:** 12 months warranty

**Non-DALI & DALI:** -

**MAXIMUM NO. OF LUMINAIRES ON A CIRCUIT**

---

Luminaire Power(W)	Control type	Circuit Breaker Type							
		B				C			
		20	16	13	10	20	16	13	10
12-20W	Non-DALI	-	50	-	-	-	-		-
27-42W	Non-DALI	-	50	-	-	-	-		-
12-27W	DALI	47	37	29	22	78	62	48	37
35-42W	DALI	32	25	21	16	53	42	35	27

**RISK GROUP**

---

**RG1**

The evaluation of photobiological safety is carried out according to the standard IEC 62471:2008 ("Photobiological safety of lamps and lamp systems"). Following the definition of the risk grouping system of the mentioned IEC standard, the LEDs mounted on this family fall into the class "Low Risk (RG1 – No photobiological hazard under normal behavioral limitations)". Under real circumstances (regarding exposure time, pupils, observation distance), it is assumed that there is no endangerment to the eye from these devices. As a matter of principle, however, it should be mentioned that intense light sources have a high secondary exposure potential due to their blinding effect.

SKU SPECIFICATIONS

Product Code	Dimensions (mm)	CCT (K)	Lumens (lm)	Power (W)	Eff. (lm/watt)	Lens Angle (°)
<b>CRI 80</b>						
145792 Sedona D32029/2700/14W/80/A90	D260xH130mmxØ240mm±1mm	2700	1690	14W	121	90°
145793 Sedona D32029/3000/14W/80/A90	D260xH130mmxØ240mm±1mm	3000	1755	14W	126	90°
145794 Sedona D32029/3500/14W/80/A90	D260xH130mmxØ240mm±1mm	3500	1775	14W	127	90°
145795 Sedona D32029/4000/14W/80/A90	D260xH130mmxØ240mm±1mm	4000	1815	14W	130	90°
145796 Sedona D32029/2700/20W/80/A90	D260xH130mmxØ240mm±1mm	2700	2370	20W	119	90°
145797 Sedona D32029/3000/20W/80/A90	D260xH130mmxØ240mm±1mm	3000	2465	20W	124	90°
145798 Sedona D32029/3500/20W/80/A90	D260xH130mmxØ240mm±1mm	3500	2490	20W	125	90°
145799 Sedona D32029/4000/20W/80/A90	D260xH130mmxØ240mm±1mm	4000	2545	20W	128	90°
145800 Sedona D32029/2700/27W/80/A90	D260xH130mmxØ240mm±1mm	2700	3280	27W	122	90°
145801 Sedona D32029/3000/27W/80/A90	D260xH130mmxØ240mm±1mm	3000	3410	27W	127	90°
145802 Sedona D32029/3500/27W/80/A90	D260xH130mmxØ240mm±1mm	3500	3445	27W	128	90°
145803 Sedona D32029/4000/27W/80/A90	D260xH130mmxØ240mm±1mm	4000	3520	27W	131	90°
145804 Sedona D32029/2700/35W/80/A90	D260xH130mmxØ240mm±1mm	2700	4175	35W	120	90°
145805 Sedona D32029/3000/35W/80/A90	D260xH130mmxØ240mm±1mm	3000	4335	35W	124	90°
145806 Sedona D32029/3500/35W/80/A90	D260xH130mmxØ240mm±1mm	3500	4385	35W	126	90°
145807 Sedona D32029/4000/35W/80/A90	D260xH130mmxØ240mm±1mm	4000	4480	35W	128	90°
145808 Sedona D32029/2700/42W/80/A90	D260xH130mmxØ240mm±1mm	2700	4835	42W	116	90°
145809 Sedona D32029/3000/42W/80/A90	D260xH130mmxØ240mm±1mm	3000	5025	42W	120	90°
145810 Sedona D32029/3500/42W/80/A90	D260xH130mmxØ240mm±1mm	3500	5080	42W	121	90°
145811 Sedona D32029/4000/42W/80/A90	D260xH130mmxØ240mm±1mm	4000	5195	42W	124	90°
145812 Sedona D32029/BVF/14W/80/A90	D260xH130mmxØ240mm±1mm	BVF	1080	14W	77	90°
145813 Sedona D32029/FBS/14W/80/A90	D260xH130mmxØ240mm±1mm	FBS	855	14W	61	90°
145814 Sedona D32029/FZM/14W/80/A90	D260xH130mmxØ240mm±1mm	FZM	800	14W	57	90°
145815 Sedona D32029/FSM/14W/80/A90	D260xH130mmxØ240mm±1mm	FSM	800	14W	57	90°
145816 Sedona D32029/FSH/14W/80/A90	D260xH130mmxØ240mm±1mm	FSH	1180	14W	84	90°
145817 Sedona D32029/BVF/20W/80/A90	D260xH130mmxØ240mm±1mm	BVF	1540	20W	77	90°
145818 Sedona D32029/FBS/20W/80/A90	D260xH130mmxØ240mm±1mm	FBS	1220	20W	61	90°
145819 Sedona D32029/FZM/20W/80/A90	D260xH130mmxØ240mm±1mm	FZM	1140	20W	57	90°
145820 Sedona D32029/FSM/20W/80/A90	D260xH130mmxØ240mm±1mm	FSM	1140	20W	57	90°
145821 Sedona D32029/FSH/20W/80/A90	D260xH130mmxØ240mm±1mm	FSH	1680	20W	84	90°
145822 Sedona D32029/BVF/27W/80/A90	D260xH130mmxØ240mm±1mm	BVF	2065	27W	77	90°
145823 Sedona D32029/FBS/27W/80/A90	D260xH130mmxØ240mm±1mm	FBS	1635	27W	61	90°
145824 Sedona D32029/FZM/27W/80/A90	D260xH130mmxØ240mm±1mm	FZM	1530	27W	57	90°
145825 Sedona D32029/FSM/27W/80/A90	D260xH130mmxØ240mm±1mm	FSM	1530	27W	57	90°
145826 Sedona D32029/FSH/27W/80/A90	D260xH130mmxØ240mm±1mm	FSH	2250	27W	84	90°
145827 Sedona D32029/BVF/35W/80/A90	D260xH130mmxØ240mm±1mm	BVF	2590	35W	74	90°
145828 Sedona D32029/FBS/35W/80/A90	D260xH130mmxØ240mm±1mm	FBS	2115	35W	61	90°
145829 Sedona D32029/FZM/35W/80/A90	D260xH130mmxØ240mm±1mm	FZM	1980	35W	57	90°
145830 Sedona D32029/FSM/35W/80/A90	D260xH130mmxØ240mm±1mm	FSM	1980	35W	57	90°
145831 Sedona D32029/FSH/35W/80/A90	D260xH130mmxØ240mm±1mm	FSH	2755	35W	79	90°
145832 Sedona D32029/BVF/42W/80/A90	D260xH130mmxØ240mm±1mm	BVF	2870	42W	69	90°
145833 Sedona D32029/FBS/42W/80/A90	D260xH130mmxØ240mm±1mm	FBS	2450	42W	59	90°
145834 Sedona D32029/FZM/42W/80/A90	D260xH130mmxØ240mm±1mm	FZM	2325	42W	56	90°
145835 Sedona D32029/FSM/42W/80/A90	D260xH130mmxØ240mm±1mm	FSM	2325	42W	56	90°
145836 Sedona D32029/FSH/42W/80/A90	D260xH130mmxØ240mm±1mm	FSH	3155	42W	76	90°
<b>CRI 90</b>						
545792 Sedona D32029/2700/14W/90/A90	D260xH130mmxØ240mm±1mm	2700	1375	14W	99	90°
545793 Sedona D32029/3000/14W/90/A90	D260xH130mmxØ240mm±1mm	3000	1430	14W	103	90°
545794 Sedona D32029/3500/14W/90/A90	D260xH130mmxØ240mm±1mm	3500	1495	14W	107	90°
545795 Sedona D32029/4000/14W/90/A90	D260xH130mmxØ240mm±1mm	4000	1565	14W	112	90°

SKU SPECIFICATIONS

Product Code	Dimensions (mm)	CCT (K)	Lumens (lm)	Power (W)	Eff. (lm/watt)	Lens Angle (°)
<b>CRI 90</b>						
545796 Sedona D32029/2700/20W/90/A90	D260xH130mmxØ240mm±1mm	2700	1925	20W	97	90°
545797 Sedona D32029/3000/20W/90/A90	D260xH130mmxØ240mm±1mm	3000	2005	20W	101	90°
545798 Sedona D32029/3500/20W/90/A90	D260xH130mmxØ240mm±1mm	3500	2095	20W	105	90°
545799 Sedona D32029/4000/20W/90/A90	D260xH130mmxØ240mm±1mm	4000	2190	20W	110	90°
545800 Sedona D32029/2700/27W/90/A90	D260xH130mmxØ240mm±1mm	2700	2690	27W	100	90°
545801 Sedona D32029/3000/27W/90/A90	D260xH130mmxØ240mm±1mm	3000	2865	27W	107	90°
545802 Sedona D32029/3500/27W/90/A90	D260xH130mmxØ240mm±1mm	3500	2895	27W	108	90°
545803 Sedona D32029/4000/27W/90/A90	D260xH130mmxØ240mm±1mm	4000	2975	27W	111	90°
545804 Sedona D32029/2700/35W/90/A90	D260xH130mmxØ240mm±1mm	2700	3425	35W	98	90°
545805 Sedona D32029/3000/35W/90/A90	D260xH130mmxØ240mm±1mm	3000	3645	35W	105	90°
545806 Sedona D32029/3500/35W/90/A90	D260xH130mmxØ240mm±1mm	3500	3685	35W	106	90°
545807 Sedona D32029/4000/35W/90/A90	D260xH130mmxØ240mm±1mm	4000	3790	35W	109	90°
545808 Sedona D32029/2700/42W/90/A90	D260xH130mmxØ240mm±1mm	2700	3965	42W	95	90°
545809 Sedona D32029/3000/42W/90/A90	D260xH130mmxØ240mm±1mm	3000	4225	42W	101	90°
545810 Sedona D32029/3500/42W/90/A90	D260xH130mmxØ240mm±1mm	3500	4270	42W	102	90°
545811 Sedona D32029/4000/42W/90/A90	D260xH130mmxØ240mm±1mm	4000	4390	42W	105	90°
<b>CRI 95</b>						
145837 Sedona D32029/FAS/14W/95/A90	D260xH130mmxØ240mm±1mm	FAS	1165	14W	84	90°
145838 Sedona D32029/FAS/20W/95/A90	D260xH130mmxØ240mm±1mm	FAS	1610	20W	81	90°
145839 Sedona D32029/FAS/27W/95/A90	D260xH130mmxØ240mm±1mm	FAS	2080	27W	78	90°
145840 Sedona D32029/FAS/35W/95/A90	D260xH130mmxØ240mm±1mm	FAS	2535	35W	73	90°
145841 Sedona D32029/FAS/42W/95/A90	D260xH130mmxØ240mm±1mm	FAS	2930	42W	70	90°
<b>CRI 98</b>						
145842 Sedona D32029/ART3000/14W/98/A90	D260xH130mmxØ240mm±1mm	ART3000	1160	14W	83	90°
145843 Sedona D32029/ART3000/20W/98/A90	D260xH130mmxØ240mm±1mm	ART3000	1600	20W	80	90°
145844 Sedona D32029/ART3000/27W/98/A90	D260xH130mmxØ240mm±1mm	ART3000	1995	27W	74	90°
145845 Sedona D32029/ART3000/35W/98/A90	D260xH130mmxØ240mm±1mm	ART3000	2425	35W	70	90°
145846 Sedona D32029/ART3000/42W/98/A90	D260xH130mmxØ240mm±1mm	ART3000	2755	42W	66	90°
<b>CRI 80</b>						
145847 Sedona D32029/AMB2200/14W/80/A90	D260xH130mmxØ240mm±1mm	AMB2200	1020	14W	73	90°
145848 Sedona D32029/AMB2200/20W/80/A90	D260xH130mmxØ240mm±1mm	AMB2200	1410	20W	71	90°
145849 Sedona D32029/AMB2200/27W/80/A90	D260xH130mmxØ240mm±1mm	AMB2200	1870	27W	70	90°
145850 Sedona D32029/AMB2200/35W/80/A90	D260xH130mmxØ240mm±1mm	AMB2200	2585	35W	74	90°
145851 Sedona D32029/AMB2200/42W/80/A90	D260xH130mmxØ240mm±1mm	AMB2200	2930	42W	70	90°
<b>CRI 93</b>						
145852 Sedona D32029/AGI3000/12W/93/A90	D260xH130mmxØ240mm±1mm	AGI3000	735	12W	62	90°
145853 Sedona D32029/AGI3500/12W/93/A90	D260xH130mmxØ240mm±1mm	AGI3500	780	12W	65	90°
145854 Sedona D32029/AGI4000/12W/93/A90	D260xH130mmxØ240mm±1mm	AGI4000	830	12W	70	90°
145855 Sedona D32029/AGI3000/17W/93/A90	D260xH130mmxØ240mm±1mm	AGI3000	985	17W	58	90°
145856 Sedona D32029/AGI3500/17W/93/A90	D260xH130mmxØ240mm±1mm	AGI3500	1050	17W	62	90°
145857 Sedona D32029/AGI4000/17W/93/A90	D260xH130mmxØ240mm±1mm	AGI4000	1115	17W	66	90°
145858 Sedona D32029/AGI3000/23W/93/A90	D260xH130mmxØ240mm±1mm	AGI3000	1330	23W	58	90°
145859 Sedona D32029/AGI3500/23W/93/A90	D260xH130mmxØ240mm±1mm	AGI3500	1440	23W	63	90°
145860 Sedona D32029/AGI4000/23W/93/A90	D260xH130mmxØ240mm±1mm	AGI4000	1550	23W	68	90°
145861 Sedona D32029/AGI3000/29W/93/A90	D260xH130mmxØ240mm±1mm	AGI3000	1680	29W	58	90°
145862 Sedona D32029/AGI3500/29W/93/A90	D260xH130mmxØ240mm±1mm	AGI3500	1820	29W	63	90°
145863 Sedona D32029/AGI4000/29W/93/A90	D260xH130mmxØ240mm±1mm	AGI4000	1960	29W	68	90°
145864 Sedona D32029/AGI3000/34W/93/A90	D260xH130mmxØ240mm±1mm	AGI3000	1900	34W	56	90°

## SKU SPECIFICATIONS

Product Code	Dimensions (mm)	CCT (K)	Lumens (lm)	Power (W)	Eff. (lm/watt)	Lens Angle (°)
<b>CRI 93</b>						
145865 Sedona D32029/AGI3500/34W/93/A90	D260xH130mmxØ240mm±1mm	AGI3500	1995	34W	59	90°
145866 Sedona D32029/AGI4000/34W/93/A90	D260xH130mmxØ240mm±1mm	AGI4000	2095	34W	62	90°

\*Preliminary data sheet

Technical specifications can be modified without prior notice. All information is property of Greentek Lighting.

The presentation picture is for information purposes only. Latest document update: August 19, 2025 12:36 PM. [www.greentek.eu](http://www.greentek.eu)