



Stiletto A - 2

SURFACE MOUNTED | NON-DALI SERIES

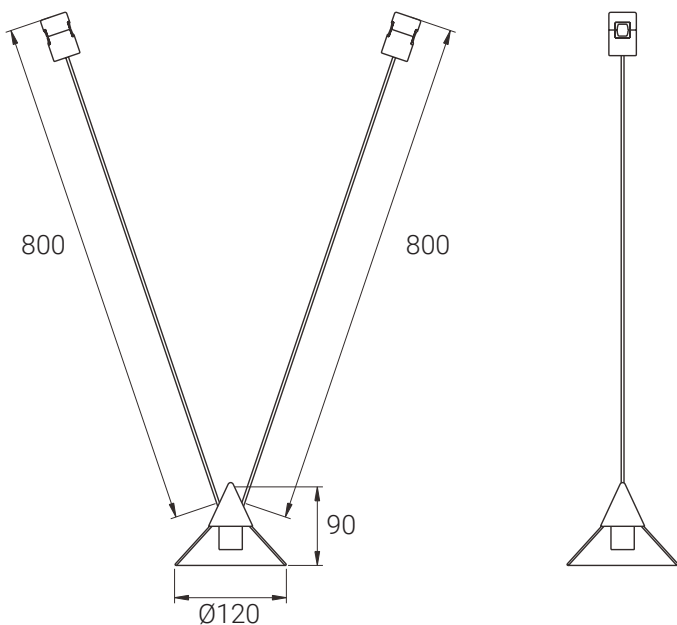
Step into a realm of refined illumination with Stiletto, a collection that combines the allure of golden aesthetics with the precision of LED technology.

FEATURES & BENEFITS

- CRI > 90 as standard
- Color temperatures: 3000K, 4000K, 6500K
- Beam angles: 120°
- Luminaire efficiency: 22lm/W @4000K
- Output power: 5W
- Luminaires that can be DALI dimmable, by choosing an appropriate driver when configuring the system.

APPLICATION

High End Grocery & Supermarkets | Fashion Retailers | Art & Exhibitions | DIY



SPECIFICATIONS

Mounting type	Magnetic track mounted luminaires
Power consumption	5W
Dimensions	Lcable 2x715 x Ø120 x H85 mm ± 1mm
Housing materials	Aluminium, Acrylic, Glass
IK code	IK00
Protection class	Safety class 1
Operating temperature [°C]	-20°C ... +40°C / -4F ... +104F
Operating humidity [%]	20 ÷ 90
DC Input [Vdc]	24 VDC
Lens angle [°]	120°
Lifespan [h]	50.000
Housing color	Brass, White, Black
Lumen maintenance	L70/B30@50.000h at 25°C
IP factor	IP20
Control option	-
Warranty [years]	5
Storage temperature range [°C]	10°C ... +30°C / 50°F ... +86°F
Emergency option	-

Light application	Standard
CRI	CRI90
CCT [K]	3000K, 4000K, 6500K

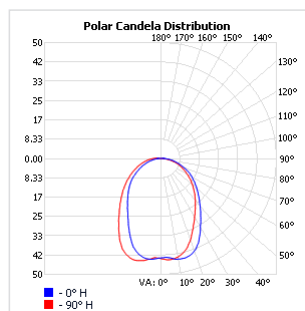
CRI - Color rendering, CCT - Color temperature

TOLERANCES

Luminous flux tolerances: -/+ 5%

Consumption tolerance: -/+ 5% for Non-DALI | -/+ 10% for Non-DALI & KIT EM | -/+ 10% for DALI | -/+ 15% for DALI & KIT EM

LIGHT DISTRIBUTION



120°

SKU SPECIFICATIONS

Product Code	Dimensions (mm)	CCT (K)	Lumens (lm)	Power (W)	Eff. (lm/watt)	Lens Angle (°)
CRI 90						
1F9280 Stiletto A-2/3000/5W/90/A120/24V/Brass	Ø120 x H85 mm ± 1mm	3000	110	5W	22	120°
1F9281 Stiletto A-2/3000/5W/90/A120/24V/White	Ø120 x H85 mm ± 1mm	3000	110	5W	22	120°
1F9282 Stiletto A-2/3000/5W/90/A120/24V/Black	Ø120 x H85 mm ± 1mm	3000	110	5W	22	120°
1F9283 Stiletto A-2/4000/5W/90/A120/24V/Brass	Ø120 x H85 mm ± 1mm	4000	110	5W	22	120°
1F9284 Stiletto A-2/4000/5W/90/A120/24V/White	Ø120 x H85 mm ± 1mm	4000	110	5W	22	120°
1F9285 Stiletto A-2/4000/5W/90/A120/24V/Black	Ø120 x H85 mm ± 1mm	4000	110	5W	22	120°
1F9286 Stiletto A-2/6500/5W/90/A120/24V/Brass	Ø120 x H85 mm ± 1mm	6500	110	5W	22	120°
1F9287 Stiletto A-2/6500/5W/90/A120/24V/White	Ø120 x H85 mm ± 1mm	6500	110	5W	22	120°
1F9288 Stiletto A-2/6500/5W/90/A120/24V/Black	Ø120 x H85 mm ± 1mm	6500	110	5W	22	120°