



## Stiletto B - 5

### SURFACE MOUNTED | NON-DALI SERIES

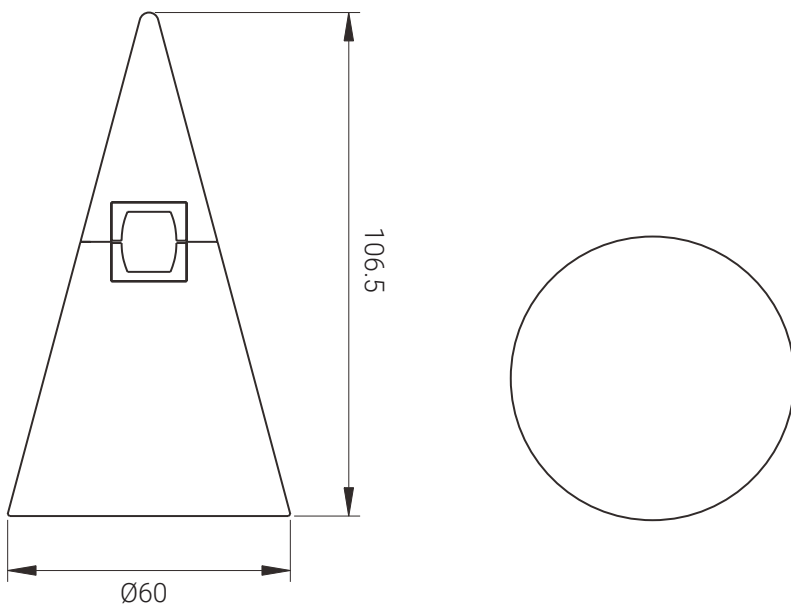
Step into a realm of refined illumination with Stiletto, a collection that combines the allure of golden aesthetics with the precision of LED technology.

#### FEATURES & BENEFITS

- CRI > 90 as standard
- Color temperatures: 3000K, 4000K, 6500K
- Beam angles: 25°, 38°
- Luminaire efficiency: 24lm/W @4000K
- Output power: 5W
- Luminaires that can be DALI dimmable, by choosing an appropriate driver when configuring the system.

#### APPLICATION

High End Grocery & Supermarkets | Fashion Retailers | Art & Exhibitions | DIY



**SPECIFICATIONS**

Mounting type	Magnetic track mounted luminaires
Power consumption	5W
Dimensions	Ø60 x H106.5mm ± 1mm
Housing materials	Aluminium, Acrylic
IK code	IK00
Protection class	Safety class 1
Operating temperature [°C]	-20°C ... +40°C / -4F ... +104F
Operating humidity [%]	20 ÷ 90
DC Input [Vdc]	24 VDC
Lens angle [°]	25°, 38°
Lifespan [h]	50.000
Housing color	Brass, White, Black
Lumen maintenance	L70/B30@50.000h at 25°C
IP factor	IP20
Control option	-
Warranty [years]	3
Storage temperature range [°C]	10°C ... +30°C / 50°F ... +86°F
Emergency option	-

Light application	Standard
CRI	CRI90
CCT [K]	3000K, 4000K, 6500K

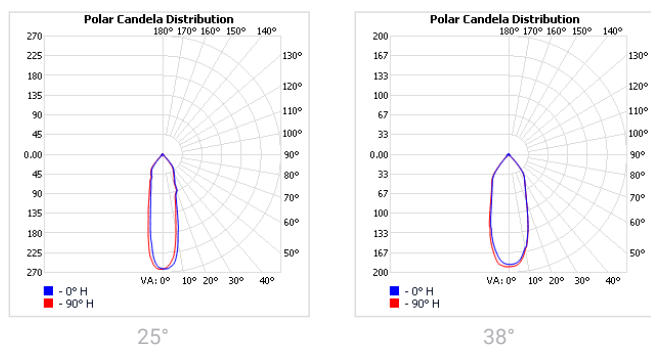
CRI - Color rendering, CCT - Color temperature

**TOLERANCES**

**Luminous flux tolerances:** -/+ 5%

**Consumption tolerance:** -/+ 5% for Non-DALI | -/+ 10% for Non-DALI & KIT EM | -/+ 10% for DALI | -/+ 15% for DALI & KIT EM

**LIGHT DISTRIBUTION**



## SKU SPECIFICATIONS

Product Code	Dimensions (mm)	CCT (K)	Lumens (lm)	Power (W)	Eff. (lm/watt)	Lens Angle (°)
<b>CRI 90</b>						
1F9109 Stiletto B5/3000/5W/90/A25/24V/Brass	Ø60 x H106.5mm ± 1mm	3000	120	5W	24	25°
1F9110 Stiletto B5/3000/5W/90/A25/24V/White	Ø60 x H106.5mm ± 1mm	3000	120	5W	24	25°
1F9111 Stiletto B5/3000/5W/90/A25/24V/Black	Ø60 x H106.5mm ± 1mm	3000	120	5W	24	25°
1F9112 Stiletto B5/4000/5W/90/A25/24V/Brass	Ø60 x H106.5mm ± 1mm	4000	120	5W	24	25°
1F9113 Stiletto B5/4000/5W/90/A25/24V/White	Ø60 x H106.5mm ± 1mm	4000	120	5W	24	25°
1F9114 Stiletto B5/4000/5W/90/A25/24V/Black	Ø60 x H106.5mm ± 1mm	4000	120	5W	24	25°
1F9115 Stiletto B5/6500/5W/90/A25/24V/Brass	Ø60 x H106.5mm ± 1mm	6500	120	5W	24	25°
1F9116 Stiletto B5/6500/5W/90/A25/24V/White	Ø60 x H106.5mm ± 1mm	6500	120	5W	24	25°
1F9117 Stiletto B5/6500/5W/90/A25/24V/Black	Ø60 x H106.5mm ± 1mm	6500	120	5W	24	25°
1F9118 Stiletto B5/3000/5W/90/A38/24V/Brass	Ø60 x H106.5mm ± 1mm	3000	120	5W	24	38°
1F9119 Stiletto B5/3000/5W/90/A38/24V/White	Ø60 x H106.5mm ± 1mm	3000	120	5W	24	38°
1F9120 Stiletto B5/3000/5W/90/A38/24V/Black	Ø60 x H106.5mm ± 1mm	3000	120	5W	24	38°
1F9121 Stiletto B5/4000/5W/90/A38/24V/Brass	Ø60 x H106.5mm ± 1mm	4000	120	5W	24	38°
1F9122 Stiletto B5/4000/5W/90/A38/24V/White	Ø60 x H106.5mm ± 1mm	4000	120	5W	24	38°
1F9123 Stiletto B5/4000/5W/90/A38/24V/Black	Ø60 x H106.5mm ± 1mm	4000	120	5W	24	38°
1F9124 Stiletto B5/6500/5W/90/A38/24V/Brass	Ø60 x H106.5mm ± 1mm	6500	120	5W	24	38°
1F9125 Stiletto B5/6500/5W/90/A38/24V/White	Ø60 x H106.5mm ± 1mm	6500	120	5W	24	38°
1F9126 Stiletto B5/6500/5W/90/A38/24V/Black	Ø60 x H106.5mm ± 1mm	6500	120	5W	24	38°